



Dell™ PowerEdge™ Rack Console 15FP

Installation Guide



Notes, Notices, and Cautions

 **NOTE:** A NOTE indicates important information that helps you make better use of your computer.

 **NOTICE:** A NOTICE indicates either potential damage to hardware or loss of data and tells you how to avoid the problem.

 **CAUTION: A CAUTION indicates a potential for property damage, personal injury, or death.**

Information in this document is subject to change without notice.

© 2003 Dell Computer Corporation. All rights reserved.

Reproduction in any manner whatsoever without the written permission of Dell Computer Corporation is strictly forbidden.

Trademarks used in this text: *Dell*, the *DELL* logo, *RapidRails*, and *VersaRails* are trademarks of Dell Computer Corporation.

Other trademarks and trade names may be used in this document to refer to either the entities claiming the marks and names or their products. Dell Computer Corporation disclaims any proprietary interest in trademarks and trade names other than its own.

April 2003 P/N 8X738 Rev. A00

Contents

CAUTION: Safety Instructions	1-1
Rack Mounting of Systems.	1-1
Rack Console 15FP Installation	1-2
Rack Requirements for VersaRails	1-2
Important Safety Information	1-3
Recommended Tools and Supplies	1-3
KMM Tray Kit Contents	1-3
Installing the 1-U KMM Tray	1-4
Removing the Rack Doors	1-5
Marking the Rack	1-5
Installing the RapidRails Slide Assemblies	1-7
Installing the VersaRails Slide Assemblies	1-9
Installing the 1-U KMM Tray in the Rack	1-10
Attaching the Cable-Management Arm to the Rack	1-12
Installing the Keyboard in the Tray (Optional)	1-13
Replacing the Power Cable.	1-15
Completing the Cable Connections	1-16
Replacing the Rack Doors	1-16
Removing the 1-U KMM Tray From the Rack	1-16
Using the 1-U KMM Tray	1-17

Figures

Figure 1-1.	1-U KMM Tray Kit Contents	1-4
Figure 1-2.	One Rack Unit	1-6
Figure 1-3.	Marking the Vertical Rails	1-7

Figure 1-4.	Installing the RapidRails Slide Assemblies . . .	1-8
Figure 1-5.	Installing the VersaRails Slide Assemblies	1-10
Figure 1-6.	Installing the KMM Tray in the Rack	1-11
Figure 1-7.	Attaching the Cable-Management Arm	1-12
Figure 1-8.	Opening the Cable Cover	1-13
Figure 1-9.	Installing the Keyboard in the Tray	1-14
Figure 1-10.	Routing the Keyboard Cable	1-15
Figure 1-11.	Removing the 1-U KMM Tray	1-17
Figure 1-12.	Adjusting the Monitor Angle	1-18


CAUTION: Safety Instructions

Use the following safety guidelines to help ensure your own personal safety and to help protect your system and working environment from potential damage. For complete safety information, see the *System Information Guide*.


Rack Mounting of Systems

Observe the following precautions for rack stability and safety.


Systems are considered to be components in a rack. Thus, "component" refers to any system as well as to various peripherals or supporting hardware.

 **CAUTION: Installing systems in a rack without the front and side stabilizers installed could cause the rack to tip over, potentially resulting in bodily injury under certain circumstances. Therefore, always install the stabilizers before installing components in the rack.**

After installing system/components in a rack, never pull more than one component out of the rack on its slide assemblies at one time. The weight of more than one extended component could cause the rack to tip over and may result in serious injury.

 **NOTE:** Your system is safety-certified as a free-standing unit and as a component for use in a Dell™ rack cabinet using the customer rack kit. The installation of your system and rack kit in any other rack cabinet has not been approved by any safety agencies. It is your responsibility to ensure that the final combination of system and rack complies with all applicable safety standards and local electric code requirements. Dell disclaims all liability and warranties in connection with such combinations.

- System rack kits are intended to be installed in a rack by trained service technicians. If you install the kit in any other rack, be sure that the rack meets the specifications of a Dell rack.


 **CAUTION: Do not move racks by yourself. Due to the height and weight of the rack, a minimum of two people should accomplish this task.**

- Before working on the rack, make sure that the stabilizers are secured to the rack, extended to the floor, and that the full weight of the rack rests on the floor. Install front and side stabilizers on a single rack or front stabilizers for joined multiple racks before working on the rack.
- Always load the rack from the bottom up, and load the heaviest item in the rack first.
- Make sure that the rack is level and stable before extending a component from the rack.

CAUTION: Safety Instructions *(continued)*

- Use caution when pressing the component rail release latches and sliding a component into or out of a rack; the slide rails can pinch your fingers.
- After a component is inserted into the rack, carefully extend the rail into a locking position, and then slide the component into the rack.
- Do not overload the AC supply branch circuit that provides power to the rack. The total rack load should not exceed 80 percent of the branch circuit rating.
- Ensure that proper airflow is provided to components in the rack.
- Do not step on or stand on any component when servicing other components in a rack.


Rack Console 15FP Installation

 **NOTE:** One unit, or U, equals 1.75 vertical inches.

This guide provides instructions for installing and using the Dell™ PowerEdge™ Rack Console 15FP (hereafter referred to as 1-U KMM [keyboard/monitor/mouse] tray) in a four-post rack cabinet. The pullout tray assembly features a keyboard with a trackball and a flat-panel monitor that rotates up from the tray for use. An attached cable-management arm routes the monitor, power, and keyboard/trackball cables to the back of the rack; extension cables are included to provide extra connection options. The monitor power supply comes already installed inside the cable enclosure.

You can install the tray using either RapidRails™ or VersaRails™. RapidRails can be installed in all of the system manufacturer's rack cabinets without tools; VersaRails can be installed in most industry-standard rack cabinets. This guide includes instructions for using both types of rails.


Rack Requirements for VersaRails


 **NOTICE:** The VersaRails rack kit is intended to be installed by trained service technicians in a rack that meets the specifications of American National Standards Institute (ANSI)/Electronic Industries Association (EIA) standard ANSI/EIA-310-D-92, International Electrotechnical Commission (IEC) 297, and Deutsche Industrie Norm (DIN) 41494. One rack kit is required for each system that is installed in a rack.


Before beginning this installation, read through this entire procedure carefully.

Important Safety Information

Observe the following safety precautions when installing components in the rack:

 **CAUTION:** You must strictly follow the procedures in this document to protect yourself as well as others who may be involved. Your system may be very large and heavy and proper preparation and planning are important to prevent injury to yourself and to others. This becomes increasingly important when systems are installed high up in the rack.

 **CAUTION:** Rack cabinets can be extremely heavy and move easily on their casters. They have no brakes. Use extreme caution while moving the rack cabinet. Retract the leveling feet when relocating the rack cabinet. Avoid long or steep inclines or ramps where loss of cabinet control may occur. Extend the leveling feet for support and to prevent the cabinet from rolling.

 **CAUTION:** Installing components in a rack without the front and side stabilizer feet installed and anchored to the floor could cause the rack to tip over, potentially resulting in bodily injury under certain circumstances. Therefore, always install and anchor the stabilizer feet before installing components in the rack.

Recommended Tools and Supplies

You may need the following tools and supplies to install the system in a four-post rack:

- #2 Phillips screwdriver (for installing VersaRails only)
- Masking tape or a felt-tip pen, for use in marking the mounting holes to be used

KMM Tray Kit Contents

The KMM tray kit includes the following items. See Figure 1-1.

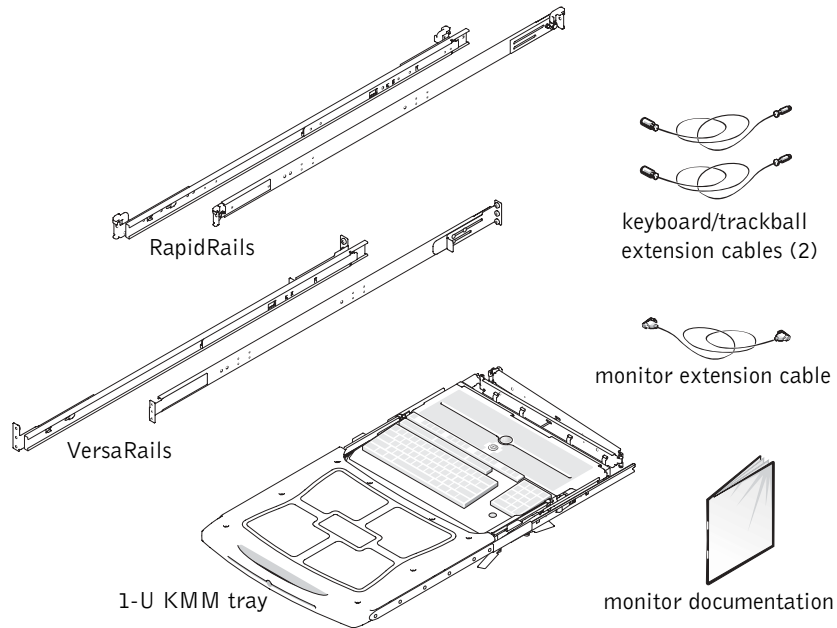
- One 1-U KMM tray with flat-panel monitor, monitor power supply, and cable-management arm installed; for certain regions, a keyboard with a trackball is also installed

 **NOTE:** If the keyboard is not shipped preinstalled in the tray for your region, you must order a separate Dell rack-mount keyboard to complete the installation.

- One pair of RapidRails or VersaRails slide assemblies
- One monitor extension cable
- Two keyboard/trackball extension cables
- Monitor documentation

- 10-32 x 0.5-inch flange-head Phillips screws and centering washers (four sets with a RapidRails assembly; eight sets with a VersaRails assembly) (not shown in Figure 1-1)
- One or more region-specific power cords (not shown in Figure 1-1)

Figure 1-1. 1-U KMM Tray Kit Contents



Installing the 1-U KMM Tray


Installing the 1-U KMM tray consists of performing the following tasks in order:

- 1 Removing the rack doors
- 2 Marking the rack
- 3 Installing the slide assemblies (RapidRails or VersaRails) in the rack
- 4 Installing the KMM tray in the rack
- 5 Attaching the cable-management arm to the rack
- 6 Installing the keyboard in the tray (if the keyboard is shipped separately from the tray)
- 7 Replacing the power cable (if necessary to satisfy the power requirements in your region)

- 8 Completing the cable connections
- 9 Replacing the rack doors

Removing the Rack Doors


See the procedures for removing doors in the documentation provided with your rack cabinet.


 **CAUTION:** Because of the size and weight of the rack cabinet doors, never attempt to remove or install them by yourself.

 **CAUTION:** Store the two doors where they will not injure someone if the doors accidentally fall over.

Marking the Rack

You must allow 1 U (44 mm, or 1.75 inches) of vertical space for installing the KMM tray. Rack cabinets that meet EIA-310 standards have an alternating pattern of three holes per rack unit with center-to-center hole spacing (beginning at the top hole of a 1-U space) of 15.9 mm, 15.9 mm, and 12.7 mm (0.625 inch, 0.625 inch, and 0.5 inch) for the front and rear vertical rails. See Figure 1-2. Rack cabinets may have round or square holes.

 **NOTE:** The vertical rails are sometimes engraved with horizontal lines and numbers in 1-U increments. If you want, you can make a note of the number marking on the rack's vertical rail. It is not necessary to mark or place tape on the rack. If you choose this method, skip ahead to the procedure "Installing the RapidRails Slide Assemblies."

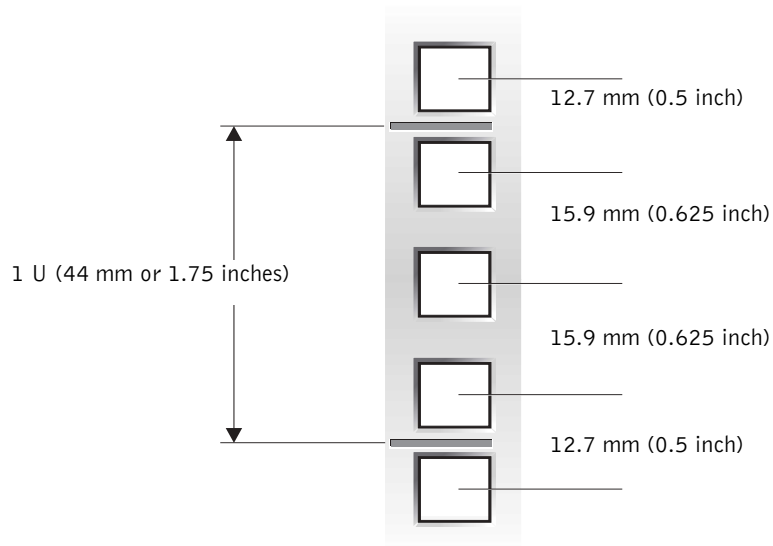
 **NOTE:** Installing the 1-U KMM tray in the top U space of the Dell PowerEdge 2410 rack is not recommended.

To mark the rack, perform the following steps:

- 1 Use a felt-tipped marker or masking tape to mark the rack's front vertical rails where you want to locate the bottom of the 1-U KMM tray.

The bottom of each 1-U space is at the middle of the narrowest metal area between the holes (marked with a horizontal line on some rack cabinets). See Figure 1-2.

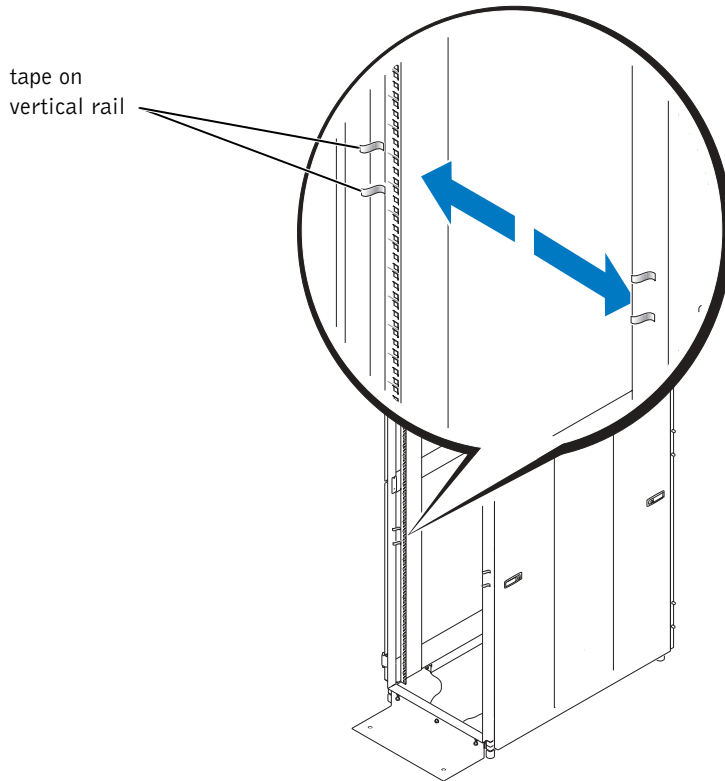
Figure 1-2. One Rack Unit



- 2 Mark the front rails again, 44 mm (1.75 inches) above the original mark you made (or, for a rack that meets EIA-310 standards, you can count up three holes and place a mark just above the top hole).

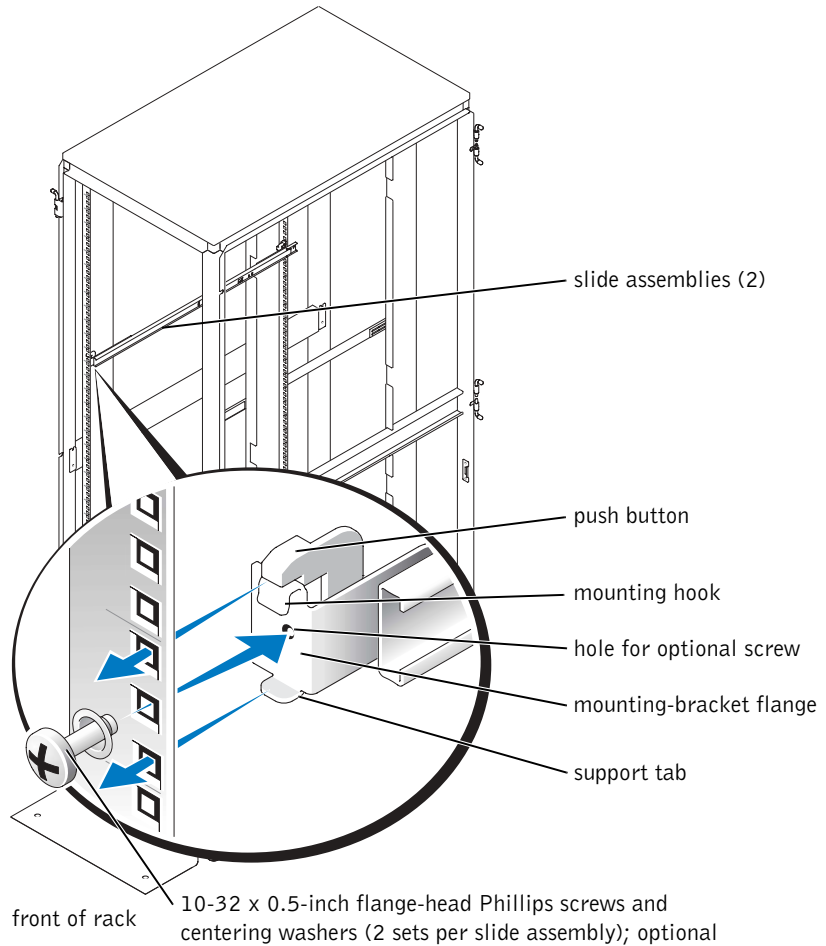
This mark or piece of tape indicates where the tray's upper edge will be located on the vertical rails. See Figure 1-3.

Figure 1-3. Marking the Vertical Rails




Installing the RapidRails Slide Assemblies

- 1** At the front of the rack cabinet, position one of the RapidRails slide assemblies so that its mounting-bracket flange fits between the marks or tape you placed on the rack. See Figure 1-4.
Ensure that the mounting hook on the slide assembly's front mounting bracket flange enters the top hole between the marks you made on the vertical rails.
- 2** Push the slide assembly forward until the mounting hook enters its respective square hole on the vertical rail, and then push down on the mounting-bracket flange until the mounting hooks seat in the square holes and the push button pops out and clicks. See Figure 1-4.

Figure 1-4. Installing the RapidRails Slide Assemblies

- 3** At the back of the cabinet, pull back on the mounting-bracket flange until the mounting hooks are located in their respective square holes, and then push down on the mounting-bracket flange until the mounting hooks seat in the square holes and the push button pops out and clicks.
- 4** Repeat step 1 through step 3 for the slide assembly on the other side of the rack.

 **NOTE:** Ensure that the rails are mounted at the same position on the vertical rails on each side of the rack.

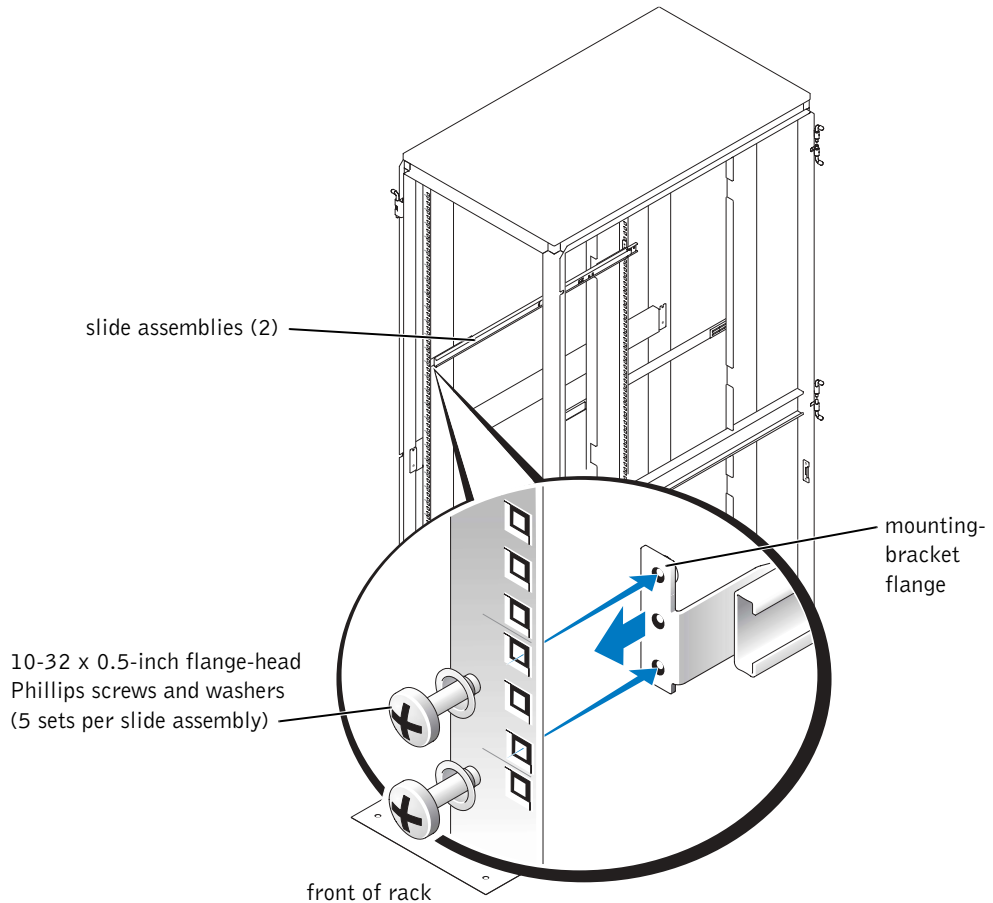
- 5 (Optional) If desired, to further secure the slide assemblies you can install the four 10-32 x 0.5-inch flange-head Phillips screws and centering washers that came with the 1-U KMM kit. Mount a centering washer on each screw and install the screw through the center square hole for each rail into the screw hole in the mounting-bracket flange. See Figure 1-4.

Installing the VersaRails Slide Assemblies

- 1 At the front of the rack cabinet, position one of the VersaRails slide assemblies so that its mounting-bracket flange fits between the marks or tape (or numbered location) on the rack. See Figure 1-5.

Ensure that the three holes on the front of the mounting bracket align with three of the holes between the marks you made on the front vertical rail.

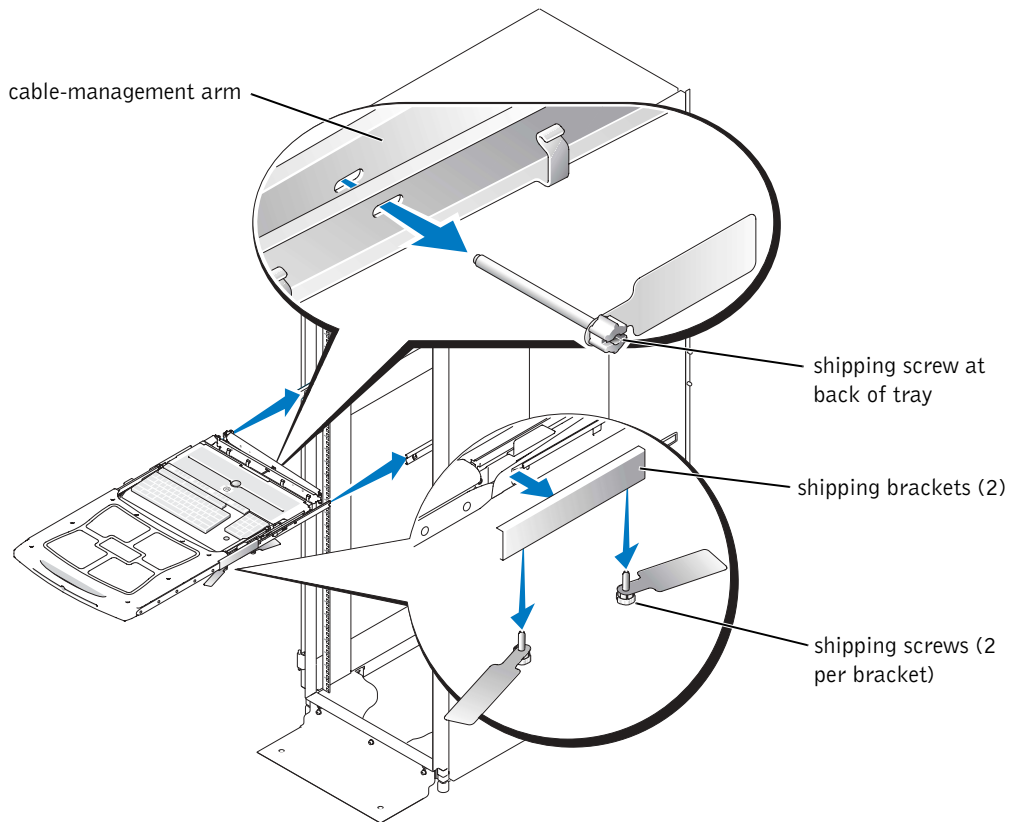
- 2 To secure the slide assembly to the front vertical rail, install two 10-32 x 0.5-inch flange-head Phillips screws from the outside of the rack. Mount a centering washer onto each screw and then insert the screws through the vertical rail into the mounting flange's top and bottom holes. See Figure 1-5.
- 3 At the back of the cabinet, pull back on the mounting-bracket flange until the mounting holes align with their respective holes on the back vertical rail.
- 4 Install two 10-32 x 0.5-inch flange-head Phillips screw-and-washer sets in the back mounting holes to secure the slide assembly to the back vertical rail.
- 5 Repeat step 1 through step 4 for the slide assembly on the other side of the rack.
- 6 Ensure that the slide assemblies are mounted at the same position on the vertical rails on each side of the rack.

Figure 1-5. Installing the VersaRails Slide Assemblies**Installing the 1-U KMM Tray in the Rack**

- 1 Pull the left- and right-slide rails out of the slide assemblies until you feel the rails lock in the fully extended position.
- 2 Align the 1-U KMM tray rails with the fronts of the slide rails, insert the tray rails into the slide rails, and push the tray steadily into the rack (you may need to give an extra push at one point to overcome the locking mechanism) until the metal shipping brackets on the sides of the tray touch the vertical rails of the rack. See Figure 1-6.

- 3 From the underside of the tray, remove the two pairs of orange shipping screws that secure the shipping brackets. See Figure 1-6. Store the screws and brackets in a safe place.
- ➔ **NOTICE:** Save the shipping screws and brackets. They will be needed if you remove the tray from the rack. See "Removing the 1-U KMM Tray From the Rack."
- 4 Push the tray most of the way into the rack.

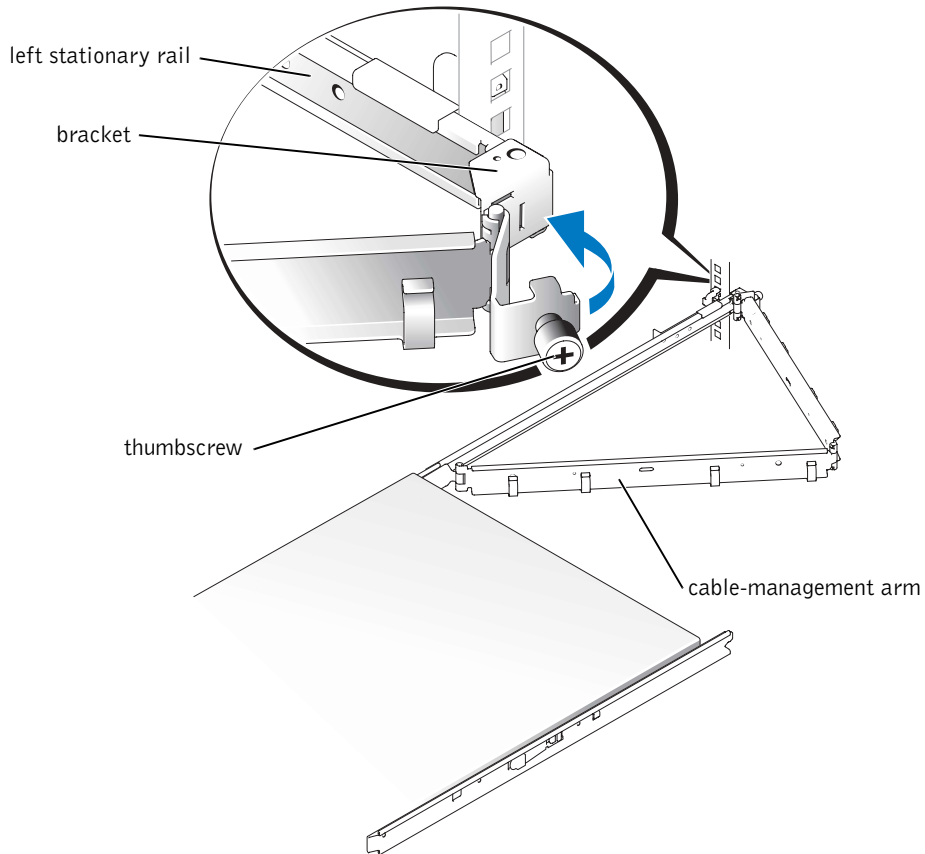
Figure 1-6. Installing the KMM Tray in the Rack



Attaching the Cable-Management Arm to the Rack

- 1 Pull the tray far enough out the front of the rack to give yourself sufficient working room at the back.
- 2 Working from the back of the rack, remove the orange shipping screw that secures the cable-management arm to the back of the tray. See Figure 1-6 for the screw location.
- 3 Swing the free end of the cable-management arm out to the bracket on the end of the left stationary rail, and attach the arm to the bracket with the thumbscrew on the end of the arm. See Figure 1-7.

Figure 1-7. Attaching the Cable-Management Arm

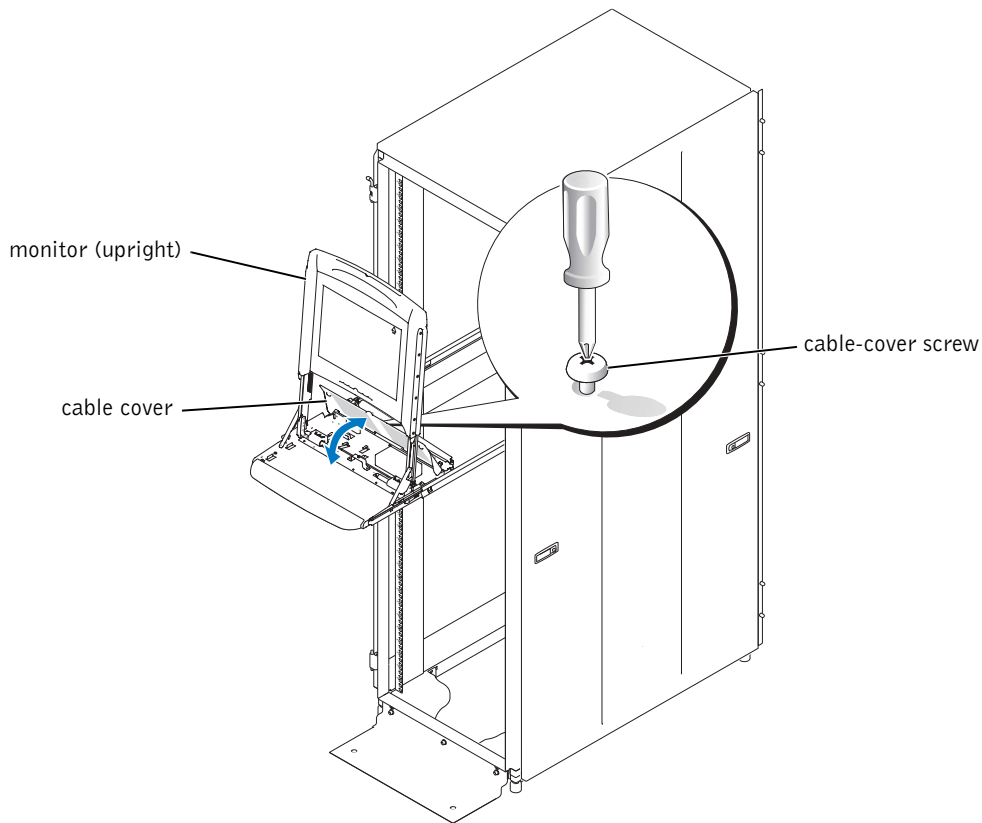


Installing the Keyboard in the Tray (Optional)

NOTE: If the keyboard is not already installed in the tray, perform the following procedure to install the keyboard; otherwise, continue to "Completing the Cable Connections."

- 1 Pull the tray out until it locks.
- 2 Grasp the monitor by its handle, rotate it to a vertical position, and raise it up completely. See Figure 1-8.
- 3 Loosen the captive Phillips screw that secures the tray's cable cover and pivot the cover backward. See Figure 1-8.

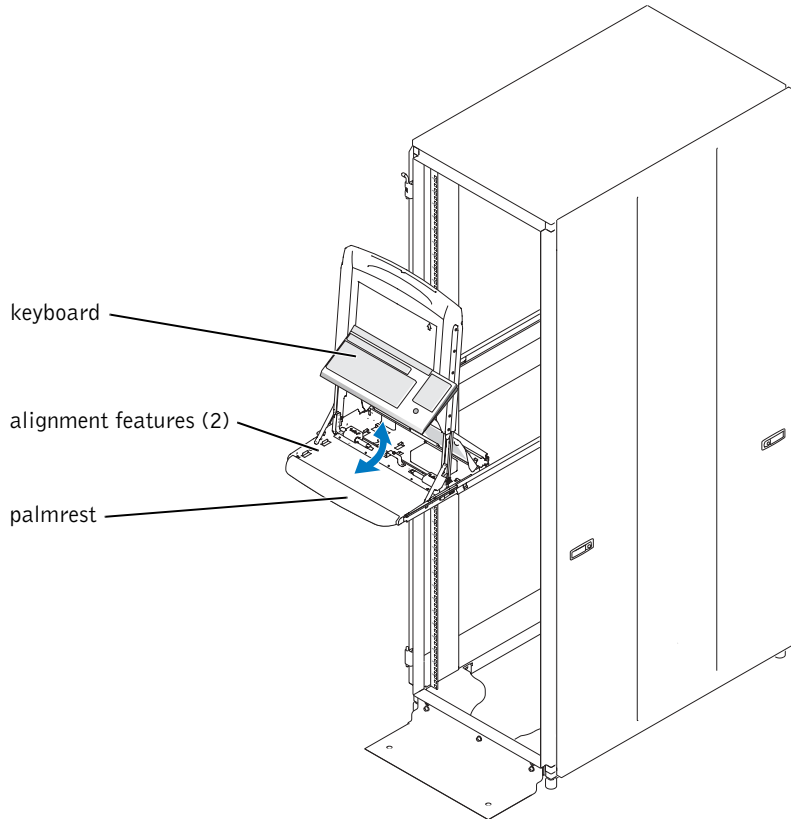
Figure 1-8. Opening the Cable Cover



NOTE: When performing the following step, ensure that the keyboard/trackball cable remains clear of the keyboard.

- 4 Tilt the front of the keyboard down, slide it under the palmrest and between the two alignment features at the sides of the tray, and then rotate the back of the keyboard down until it snaps into a locked position. See Figure 1-9.

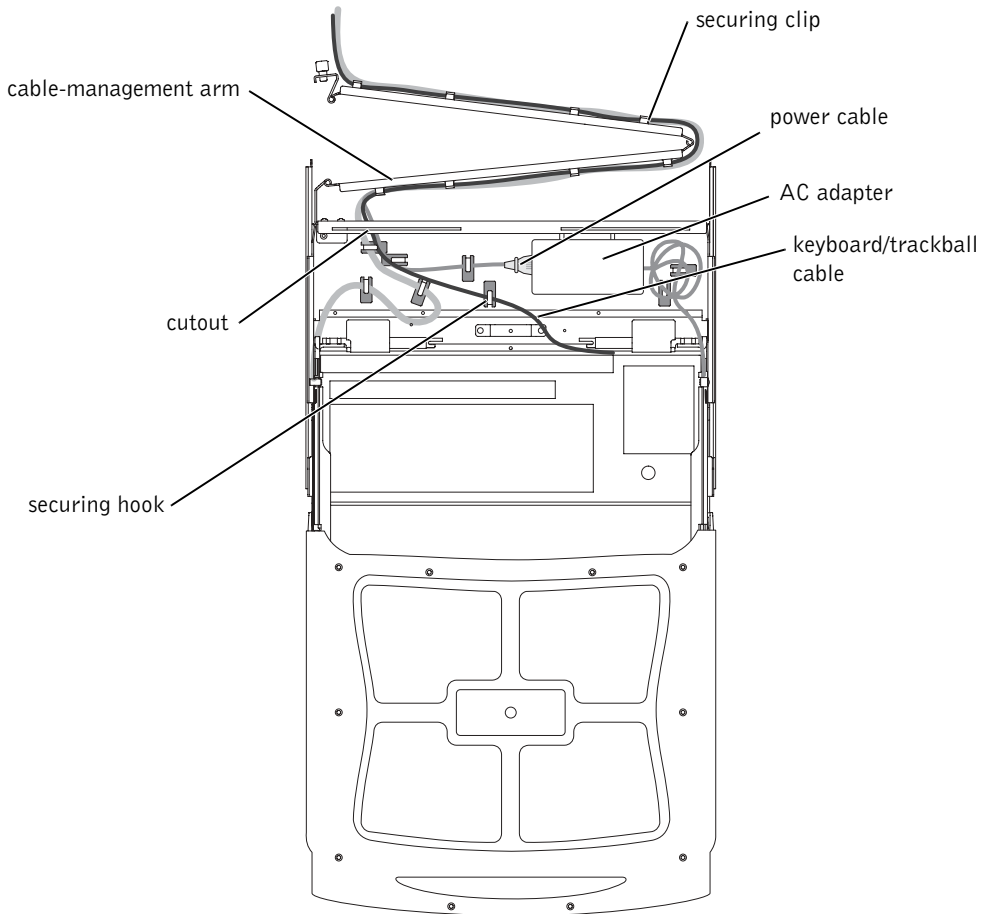
Figure 1-9. Installing the Keyboard in the Tray



- 5 Route the keyboard/trackball cable to the left through two of the securing hooks at the bottom of the cable enclosure, and out through the cutout in the back of the tray. See Figure 1-10.
- 6 Route the keyboard/trackball cable along the arm with the other cables, and press it into the securing clips along the arm.
- 7 To flatten the cable bundle enough to stay inside the cable-management arm, press the cable bundle to the arm along the entire length of the arm.

- 8 Unless you are replacing the power cord, close the cable cover and tighten the captive Phillips screw.

Figure 1-10. Routing the Keyboard Cable



Replacing the Power Cable

NOTE: If the correct power cable for your region is not already installed, perform the following procedure to replace the existing power cable with the correct one from the 1-U KMM tray kit; otherwise, continue to "Completing the Cable Connections."

- 1 Detach the power cord from the AC adapter and pull it from beneath the securing hooks on the bottom of the cable enclosure. See Figure 1-10.


- 2 Remove the power cord from the cable bundle in the cable-management arm.
- 3 Plug the new power cord into the AC adapter and route it under the securing hooks in the bottom of the cable enclosure. See Figure 1-10.
- 4 Join the new power cord to the cable bundle by routing it under the securing clips on the cable-management arm.
- 5 Close the cable cover and tighten the captive Phillips screw.

Completing the Cable Connections

- 1 If desired, connect the keyboard, trackball, and monitor extension cables provided in the 1-U KMM tray kit to the corresponding cables emerging from the cable-management arm.
- 2 Complete the cable connections as appropriate.

Replacing the Rack Doors


See the procedures for removing doors in the documentation provided with your rack cabinet.

 **CAUTION: Because of the size and weight of the rack cabinet doors, never attempt to remove or install them by yourself.**

Removing the 1-U KMM Tray From the Rack

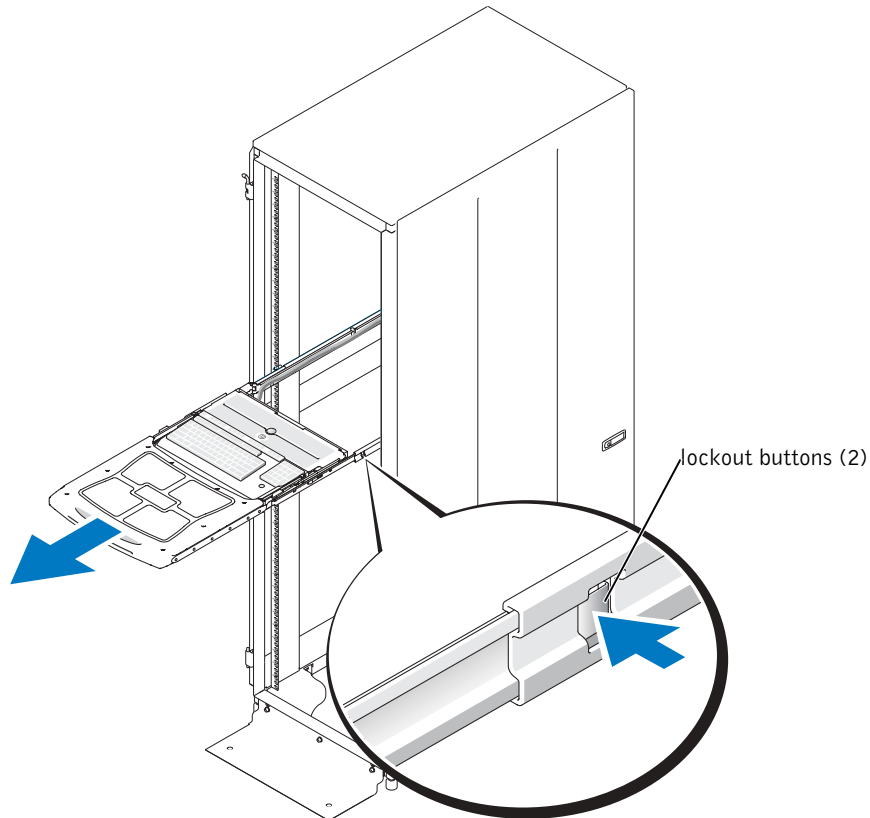
- 1 Pull the tray out until it is stopped by the lockout buttons located on each side of the tray.
- 2 Reinstall the shipping screws and brackets that you removed from the tray during the installation procedure. See Figure 1-6.

The brackets provide support in the middle of the tray while the tray is removed from the rack and transported.

 **CAUTION: If you do not have the original shipping brackets and screws, ensure that the tray is manually supported in the middle while removing and transporting it. Do not try to remove and transport the tray by holding it at the front and back only.**


- 3 To completely remove the tray, depress both lockout buttons simultaneously as the tray is drawn out of the rack. This task is most easily performed by two people, one working at each side of the tray. See Figure 1-11.

Figure 1-11. Removing the 1-U KMM Tray



Using the 1-U KMM Tray

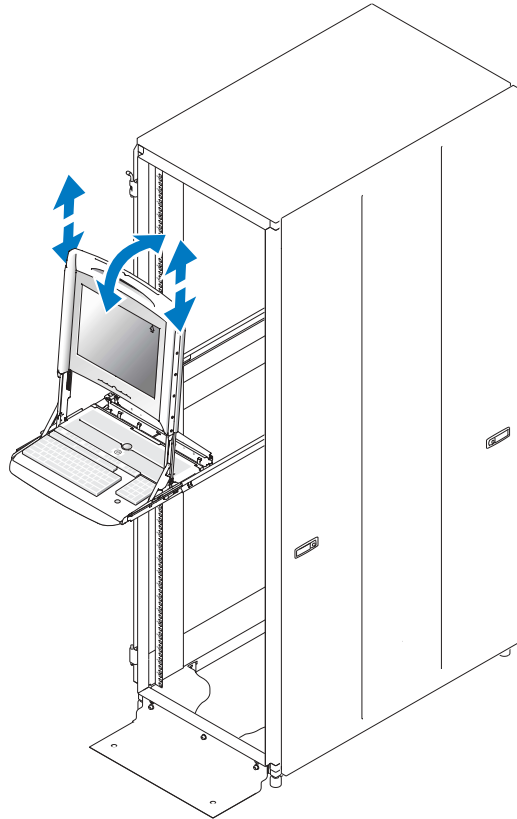
- 1 Pull the tray out until it locks.
- 2 Grasp the monitor by its handle and rotate it up to a desirable position.

 **NOTE:** If the monitor is in sleep mode when raised, it turns on when it reaches approximately a 90° angle.


The monitor is held in place by friction.

- To adjust the angle, pivot the monitor backward and forward. See Figure 1-12.
- To adjust the height, grasp the monitor at both sides and use equal pressure on both sides to move it up and down. See Figure 1-12.

Figure 1-12. Adjusting the Monitor Angle




- 3 Use the monitor power button to turn the monitor on and off.

 **NOTE:** For more information about using the monitor, see the monitor documentation included in the tray kit.

- 4 To end the session:

- a (Optional) Use the monitor power button to turn off the monitor, or put the monitor into sleep mode.

 **NOTE:** The monitor automatically turns off when it is lowered past a 45° angle.

- b Rotate the monitor down to the fully-lowered position.
- c Push the tray completely into the rack.

Console de rack 15FP Dell™ PowerEdge™

Guide d'installation



Remarques, mises en garde et avertissements



REMARQUE : Une REMARQUE contient des informations importantes destinées à vous aider à mieux utiliser votre ordinateur.



MISE EN GARDE : Une MISE EN GARDE vous avertit d'un dommage ou d'une perte de données potentiels et vous indique comment éviter ce problème.



ATTENTION : Le message **ATTENTION** indique une situation potentiellement dangereuse qui, si elle n'est pas évitée, peut provoquer une détérioration du matériel ou des blessures pouvant entraîner la mort.

**Les informations fournies dans ce document sont susceptibles d'être modifiées sans préavis.
© 2003 Dell Computer Corporation. Tous droits réservés.**

La reproduction de ce document de quelque manière que ce soit sans l'autorisation écrite de Dell Computer Corporation est strictement interdite.

Marques commerciales utilisées dans ce document : *Dell*, le logo *DELL*, *RapidRails* et *VersaRails* sont des marques commerciales de Dell Computer Corporation.

Tous les autres noms de marques et marques commerciales utilisés dans ce document se rapportent aux sociétés propriétaires des marques et des noms de ces produits. Dell Computer Corporation décline tout intérêt dans l'utilisation des marques déposées et des noms de marques ne lui appartenant pas.

Sommaire

ATTENTION : Instructions de sécurité	2-1
Montage en rack des systèmes	2-1
Installation de la console de rack 15FP	2-2
Spécifications de rack requises pour les rails VersaRails	2-3
Informations importantes sur la sécurité	2-3
Outils et fournitures recommandés	2-3
Contenu du kit du plateau KMM	2-4
Installation du plateau KMM 1 U	2-5
Retrait des portes du rack	2-6
Marquage du rack	2-6
Installation des rails coulissants RapidRails	2-8
Installation des rails coulissants VersaRails	2-10
Installation du plateau KMM 1 U dans le rack	2-11
Fixation du bras de maintien des câbles au rack	2-13
Installation du clavier dans le plateau (Facultatif)	2-14
Remplacement du câble d'alimentation	2-17
Fin de la connexion des câbles	2-17
Remise en place des portes du rack	2-17
Retrait du plateau KMM 1 U du rack	2-17
Utilisation du plateau KMM 1 U	2-19

Figures

Figure 2-1.	Contenu du kit du plateau KMM 1 U	2-5
Figure 2-2.	Unité à un rack	2-7
Figure 2-3.	Marquage des rails verticaux	2-8

Figure 2-4.	Installation des rails coulissants RapidRails . . .	2-9
Figure 2-5.	Installation des rails coulissants VersaRails	2-11
Figure 2-6.	Installation du plateau KMM dans le rack	2-12
Figure 2-7.	Fixation du bras de maintien des câbles	2-13
Figure 2-8.	Ouverture du couvercle de protection des câbles	2-14
Figure 2-9.	Installation du clavier dans le plateau	2-15
Figure 2-10.	Acheminement du câble du clavier	2-16
Figure 2-11.	Retrait du plateau KMM 1 U	2-18
Figure 2-12.	Réglage de l'angle du moniteur	2-19


ATTENTION : Instructions de sécurité

Respectez les consignes de sécurité de ce guide pour assurer votre sécurité personnelle et pour contribuer à protéger votre système et votre environnement de travail des dommages potentiels. Pour obtenir des informations complètes sur la sécurité, reportez-vous au *Guide Informations sur le système*.


Montage en rack des systèmes

Pour la stabilité du rack et pour votre sécurité, respectez les précautions suivantes.


Les systèmes sont considérés comme les composants d'un rack. Ainsi, le terme « composant » fait référence à tout système aussi bien qu'aux différents périphériques ou matériels qui lui sont associés.

 **ATTENTION : L'installation de systèmes dans un rack qui n'est pas équipé de stabilisateurs avant et latéraux peut provoquer le basculement du rack, et comporte dans certaines situations un risque de blessures. C'est pourquoi il faut toujours installer les stabilisateurs avant d'installer les composants du rack.**

Après avoir installé le système/les composants dans un rack, ne retirez jamais plusieurs composants du rack à la fois à l'aide des supports coulissants. Le poids représenté par ces composants étendus pourrait en effet provoquer le basculement du rack et occasionner de graves blessures.

 **REMARQUE :** Votre système est certifié sur le plan de la sécurité en tant qu'unité autonome et en tant que composant destiné à être utilisé dans une armoire rack Dell, à l'aide du kit de rack client. L'installation du système et du kit de rack dans tout autre type de rack n'a reçu aucune homologation des organismes de certification de la sécurité. Il vous incombe de veiller à ce que la combinaison finale système/rack soit conforme à toutes les normes de sécurité en vigueur ainsi qu'aux normes électriques locales. Dell décline toute responsabilité et toutes garanties liées à ce type de combinaisons.

- Les kits de racks sont destinés à être installés dans un rack par des techniciens de maintenance qualifiés. Si vous installez ce kit dans tout autre rack, assurez-vous que celui-ci répond à toutes les spécifications d'un rack Dell.

 **ATTENTION : Ne déplacez pas seul(e) les racks. En raison de la hauteur et du poids du rack, cette tâche doit être réalisée par deux personnes au minimum.**

- Avant de travailler sur le rack, assurez-vous que les stabilisateurs sont bien fixés sur le rack et au sol, et que tout le poids du rack repose sur le sol. Installez les stabilisateurs avant et latéraux (pour un rack simple) ou les stabilisateurs avant (pour un rack multiple) avant de travailler sur le rack.

ATTENTION : Instructions de sécurité (suite)

- Chargez toujours le rack du bas vers le haut, en plaçant toujours la plus forte charge en premier.
- Assurez-vous que le rack est bien à plat et stable avant de sortir l'un des composants.
- Agissez avec précaution lorsque vous appuyez sur les verrous des rails pour les libérer et faire glisser un composant hors ou dans le rack. Les rails coulissants pourraient en effet vous coincer les doigts.
- Après avoir inséré un composant dans le rack, étendez le rail en position maximum jusqu'à son verrouillage puis faites glisser le composant dans le rack.
- Ne surchargez pas le circuit de dérivation CA qui alimente le rack en électricité. La charge totale du rack ne doit pas excéder 80 % de la puissance du circuit de dérivation.
- Assurez-vous que l'air circule suffisamment entre les composants du rack.
- Ne montez jamais sur l'un des composants du système lors de l'entretien.

Installation de la console de rack 15FP

 **REMARQUE :** Une unité ou U équivaut à 1,75 pouces verticaux.

Ce guide contient des instructions relatives à l'installation et à l'utilisation de la console de rack 15FP Dell™ PowerEdge™ (appelée ci-après plateau KMM [moniteur/clavier/souris] 1 U) dans une armoire rack à quatre montants. Le plateau coulissant contient un clavier avec une boule de pointage et un moniteur à écran plat escamotable. Un bras de maintien des câbles dirige le câble du moniteur, le câble d'alimentation et les câbles du clavier/de la boule de pointage vers l'arrière du rack ; les câbles d'extension fournis permettent d'effectuer des branchements supplémentaires. Le dispositif d'alimentation électrique du moniteur est préinstallé dans le boîtier de câbles.

Vous pouvez installer le plateau à l'aide des rails RapidRails™ ou VersaRails™. Les rails RapidRails peuvent être installés sans outils dans toutes les armoires rack du fabricant du système ; les rails VersaRails peuvent être installés dans la plupart des armoires rack conformes aux normes de l'industrie. Ce guide fournit des instructions pour l'utilisation de ces deux types de rails.

Spécifications de rack requises pour les rails VersaRails

- ➔ **MISE EN GARDE** : Le kit de rack VersaRails est prévu pour être installé par des techniciens de maintenance qualifiés dans un rack conforme aux spécifications des organismes suivants : American National Standards Institute (ANSI)/Electronic Industries Association (EIA) standard ANSI/EIA-310-D-92, International Electrotechnical Commission (IEC) 297 et Deutsche Industrie Norm (DIN) 41494. Un kit de rack est nécessaire pour chaque système installé dans le rack.

Avant de commencer l'installation, lisez soigneusement cette procédure en entier.

Informations importantes sur la sécurité

Observez ces précautions en matière de sécurité lors de l'installation de composants dans le rack :

- ⚠ **ATTENTION** : Vous devez respecter à la lettre les procédures de ce document afin de garantir votre propre protection ainsi que celle d'autrui. Votre système peut être très lourd et volumineux. Une préparation et une planification adéquates sont donc importantes afin d'éviter tout risque de blessure pour vous-même ou autrui. Ces précautions sont d'autant plus importantes lorsque les systèmes sont installés très haut dans le rack.
- ⚠ **ATTENTION** : Les armoires rack peuvent être extrêmement lourdes, mais leurs roulettes permettent un déplacement facile. Mais elles ne sont pas équipées de système de freinage. Procédez par conséquent avec la plus grande prudence pour déplacer l'armoire rack. Pensez à rentrer ses pieds de nivellement lorsque vous la changez d'emplacement. Évitez de la déplacer le long de rampes ou de plans inclinés trop longs ou trop abrupts, sur lesquels l'armoire pourrait vous échapper. Ressortez les pieds de nivellement lorsqu'il est nécessaire de soutenir l'armoire ou pour lui éviter de glisser sur ses roulettes.
- ⚠ **ATTENTION** : Si vous installez des composants dans un rack sans fixer les pieds stabilisateurs avant et latéraux au sol, le rack peut basculer et entraîner dans certaines situations un risque de blessures. C'est pourquoi il faut toujours installer les pieds stabilisateurs avant d'installer les composants dans le rack.

Outils et fournitures recommandés

Les outils et fournitures suivants peuvent être nécessaires pour installer le système dans un rack à quatre montants :

- Tournevis Phillips n°2 (uniquement pour l'installation des rails VersaRails)
- Une bande adhésive ou un stylo feutre, pour marquer les trous de montage à utiliser

Contenu du kit du plateau KMM

Le kit du plateau KMM comprend les éléments ci-dessous. Voir la Figure 2-1.

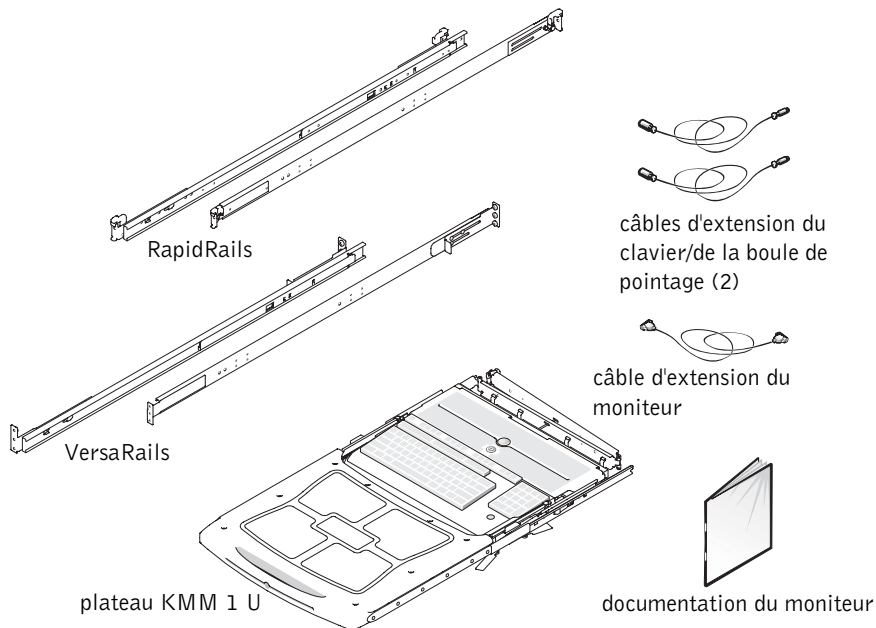
- Un plateau KMM 1 U avec moniteur à écran plat, dispositif d'alimentation électrique du moniteur et bras de maintien des câbles installés ; pour certains pays, un clavier avec une boule de pointage est également installé.



REMARQUE : Si à la livraison, le clavier n'est pas préinstallé dans le plateau pour votre pays, vous devez commander un clavier montable en rack Dell pour compléter l'installation.

- Une paire de rails coulissants RapidRails ou VersaRails.
- Un câble d'extension pour le moniteur.
- Deux câbles d'extension pour le clavier/la boule de pointage.
- Documentation du moniteur.
- Vis à tête Phillips 10-32 x 0,5 pouce et rondelles de centrage (quatre lots pour un kit RapidRails ; huit lots pour un kit VersaRails) (non représentés à la Figure 2-1).
- Un ou plusieurs cordons d'alimentation conformes aux spécifications de votre pays (non représentés à la Figure 2-1).

Figure 2-1. Contenu du kit du plateau KMM 1 U



Installation du plateau KMM 1 U

L'installation du plateau KMM 1 U consiste à effectuer les tâches suivantes dans l'ordre :

- 1 Retrait des portes du rack
- 2 Marquage du rack
- 3 Installation des rails coulissants (RapidRails ou VersaRails) dans le rack
- 4 Installation du plateau KMM dans le rack
- 5 Fixation du bras de maintien des câbles au rack
- 6 Installation du clavier dans le plateau (si le clavier n'est pas préinstallé dans le plateau)
- 7 Remplacement du câble d'alimentation (conformément aux spécifications électriques de votre pays, le cas échéant)
- 8 Fin de la connexion des câbles
- 9 Remise en place des portes du rack

Retrait des portes du rack


Reportez-vous aux procédures de retrait des portes dans la documentation fournie avec votre armoire rack.


 **ATTENTION : Compte tenu du poids et de la taille des portes de l'armoire rack, ne retirez ou n'installez jamais les portes seul(e).**

 **ATTENTION : Stockez les deux portes dans un endroit sûr où elles ne risquent pas de tomber accidentellement et de blesser quelqu'un.**

Marquage du rack

Vous devez laisser un espace vertical de 1 U (44 millimètres ou 1,75 pouce) pour installer le plateau KMM. Les armoires rack conformes aux normes EIA-310 alternent un groupe de trois trous par unité. Les espacements entre chacun des trois trous, mesurés du centre d'un trou jusqu'au centre du trou suivant (en commençant par le trou supérieur d'un espace de 1 U) sont respectivement de 15,9 mm, 15,9 mm et 12,7 mm (0,625 pouce, 0,625 pouce et 0,5 pouce) pour les rails verticaux avant et arrière. Voir la Figure 2-2. Les armoires rack peuvent comporter des trous ronds ou carrés.

 **REMARQUE :** Les rails verticaux comportent parfois des lignes horizontales et des chiffres progressant par incréments de 1 U. Si vous le souhaitez, vous pouvez noter le nombre figurant sur le rail vertical du rack. Il n'est pas nécessaire de marquer le rack ou d'y apposer un morceau de bande adhésive. Si vous choisissez cette méthode, passez directement à la procédure « Installation des rails coulissants RapidRails ».

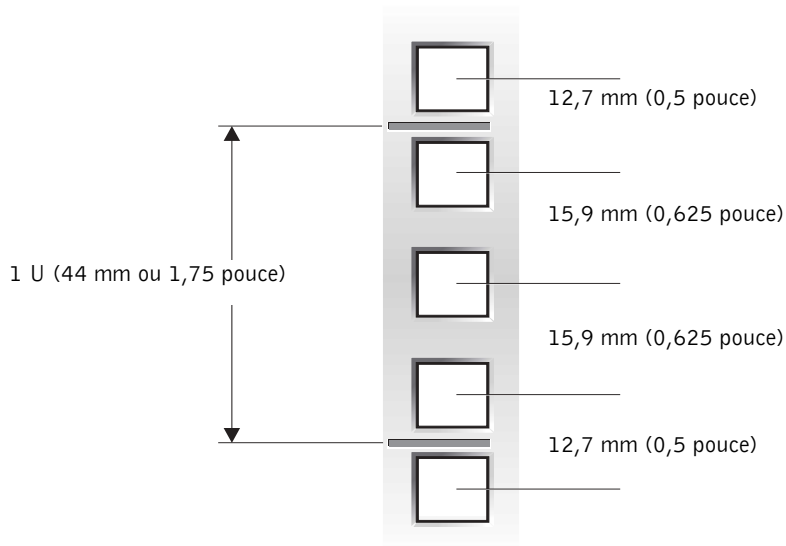
 **REMARQUE :** Il est déconseillé d'installer le plateau KMM 1 U dans l'espace U supérieur du rack Dell PowerEdge 2410.

Pour marquer le rack, procédez comme suit :

- 1 Utilisez un stylo feutre ou de la bande adhésive pour placer une marque sur les rails verticaux du rack à l'endroit où vous souhaitez positionner le bas du plateau KMM 1 U.

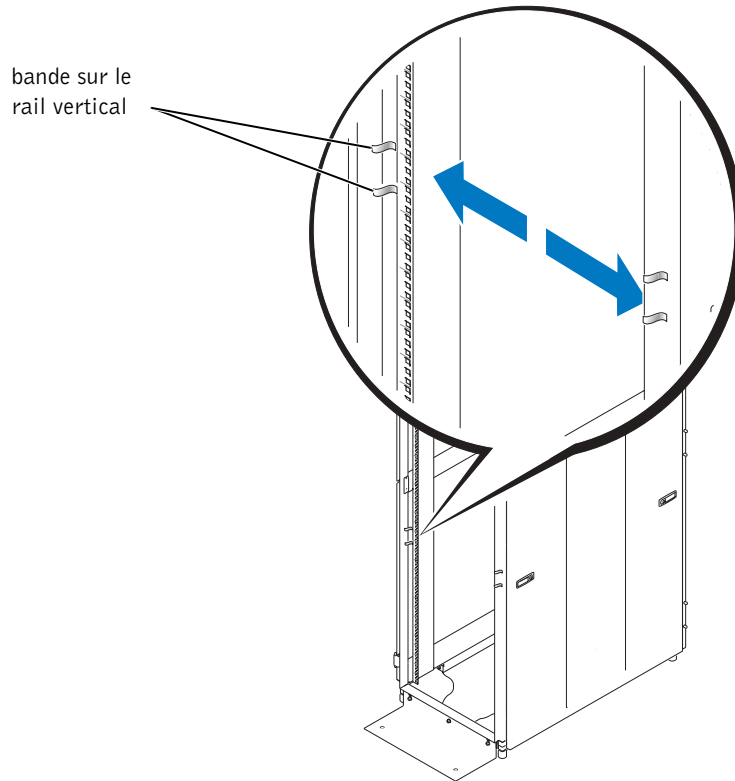
Le bas de chaque espace 1 U se trouve au milieu de la zone métallique la plus étroite située entre les trous (repérée par une ligne horizontale sur certaines armoires rack). Voir la Figure 2-2.

Figure 2-2. Unité à un rack



- 2 Placez une autre marque sur les rails avant, 44 mm (1,75 pouce) au-dessus de la première marque (ou pour un rack conforme aux normes EIA-310, comptez trois trous et placez une marque juste au-dessus du trou du haut).

Cette marque ou ce morceau de bande adhésive indique l'endroit où le rebord supérieur du plateau sera installé sur les rails verticaux. Voir la Figure 2-3.

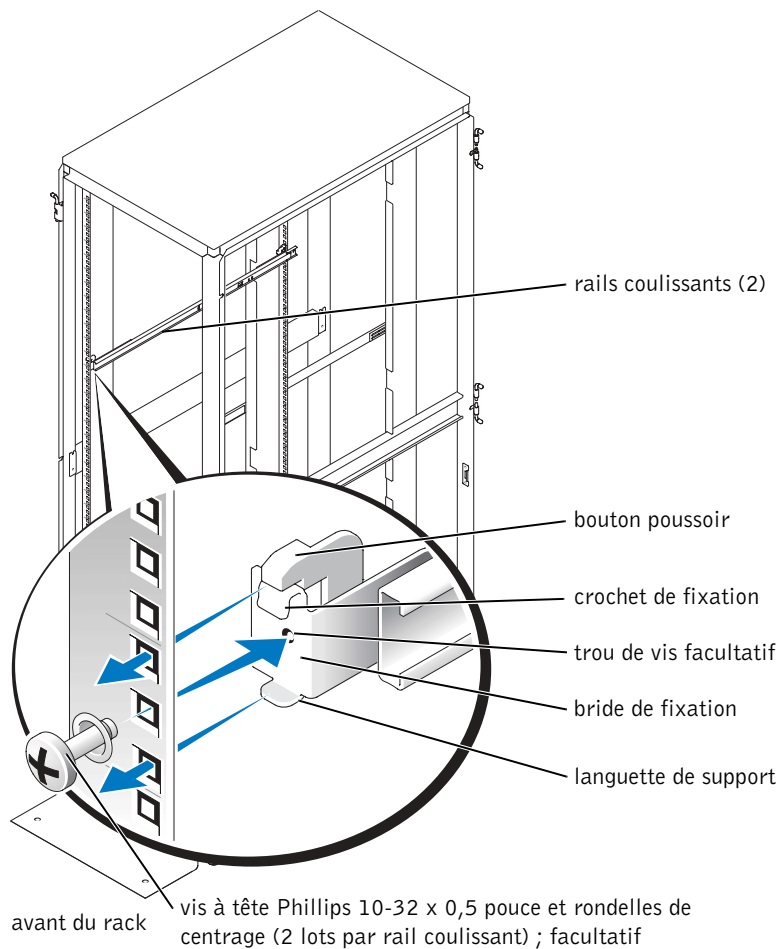
Figure 2-3. Marquage des rails verticaux**Installation des rails coulissants RapidRails**

- 1 À l'avant de l'armoire rack, positionnez l'un des rails RapidRails de façon à ce que la bride de fixation soit située entre les marques (ou le morceau de bande adhésive) placées sur le rack. Voir la Figure 2-4.

Vérifiez que le crochet de fixation de la bride de fixation avant du rail coulissant pénètre dans le trou supérieur situé entre les marques que vous avez faites sur les rails verticaux.

- 2 Poussez le rail coulissant vers l'avant jusqu'à ce que le crochet de fixation pénètre dans son trou carré sur le rail vertical, puis exercez une pression vers le bas sur la bride de fixation jusqu'à ce que les crochets de fixation s'enclenchent dans les trous carrés et que le bouton-poussoir ressorte et émette un déclic. Voir la Figure 2-4.

Figure 2-4. Installation des rails coulissants RapidRails



- 3 À l'arrière de l'armoire, tirez la bride de fixation vers l'arrière jusqu'à ce que les crochets de fixation soient positionnés dans leurs trous carrés, puis exercez une pression vers le bas sur la bride de fixation jusqu'à ce que les crochets de fixation s'enclenchent dans les trous carrés et que le bouton-poussoir ressorte et émette un déclic.
- 4 Effectuez de nouveau les opérations des étapes 1 à 3 pour le rail coulissant situé sur l'autre côté du rack.

REMARQUE : Vérifiez que les rails sont montés à la même position sur les rails verticaux de chaque côté du rack.

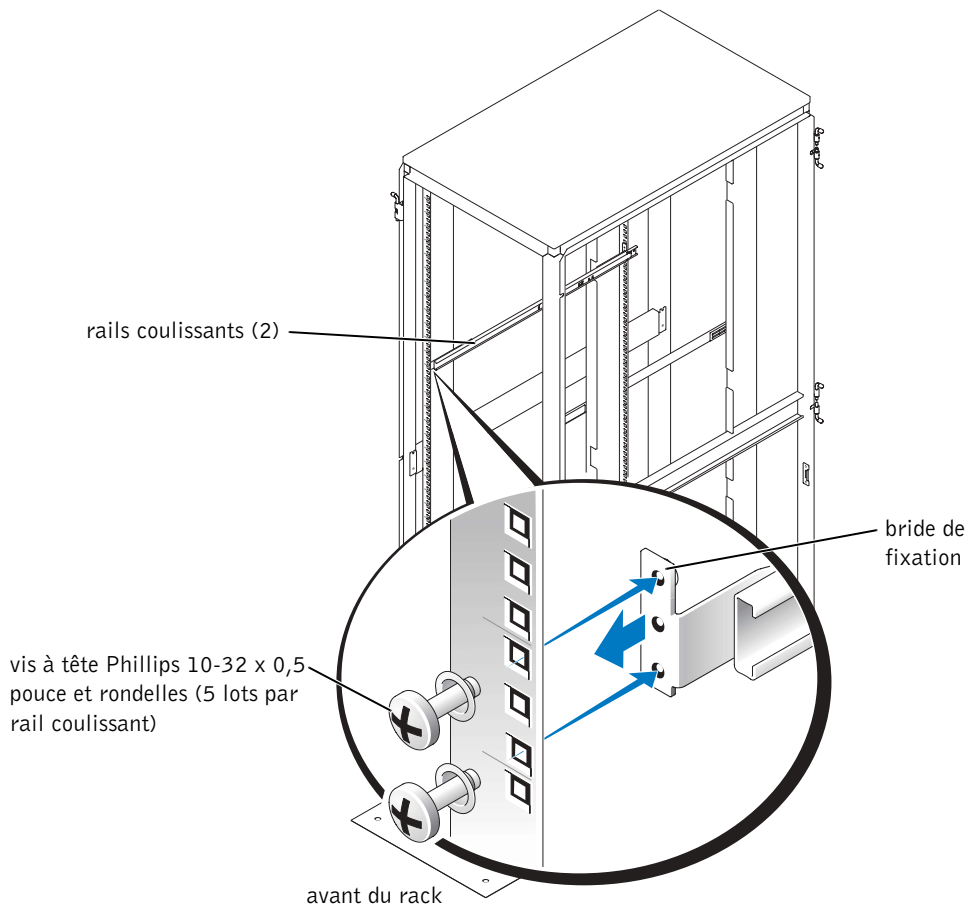
- 5 (Facultatif) Si vous le souhaitez, pour consolider la fixation des rails coulissants, vous pouvez installer les vis à tête Phillips 10-32 x 0,5 pouce et les rondelles de centrage fournies avec le kit KMM 1 U. Ajoutez une rondelle de centrage à chaque vis. Faites passer les vis dans le trou carré central de chaque rail, puis insérez-les dans les trous de vis de la bride de fixation. Voir la Figure 2-4.

Installation des rails coulissants VersaRails

- 1 À l'avant de l'armoire rack, positionnez l'un des rails coulissants VersaRails de façon à ce que la bride de fixation soit située entre les marques ou la bande adhésive (ou l'emplacement numéroté) sur le rack. Voir la Figure 2-5.

Vérifiez que les trois trous à l'avant de la bride de fixation correspondent aux trois trous situés entre les marques que vous avez placées sur le rail vertical avant.
- 2 Pour fixer les rails coulissants au rail vertical avant, insérez deux vis à tête Phillips 10-32 x 0,5 pouce depuis l'extérieur du rack. Ajoutez une rondelle de centrage à chaque vis. Faites passer les vis dans le rail vertical, puis insérez-les dans les trous du haut et du bas de la bride de fixation. Voir la Figure 2-5.
- 3 À l'arrière de l'armoire, tirez sur la bride de fixation jusqu'à ce que les trous de montage s'alignent avec leurs trous respectifs sur le rail vertical arrière.
- 4 Insérez deux vis Phillips à tête plate 1-32 x 0,5 pouce, munies de rondelles de centrage, dans les trous de la bride de fixation arrière afin de fixer le rail coulissant au rail vertical arrière.
- 5 Effectuez de nouveau les opérations des étapes 1 à 4 pour le rail coulissant situé sur l'autre côté du rack.
- 6 Vérifiez que les rails coulissants sont montés à la même position sur les rails verticaux de chaque côté du rack.

Figure 2-5. Installation des rails coulissants VersaRails

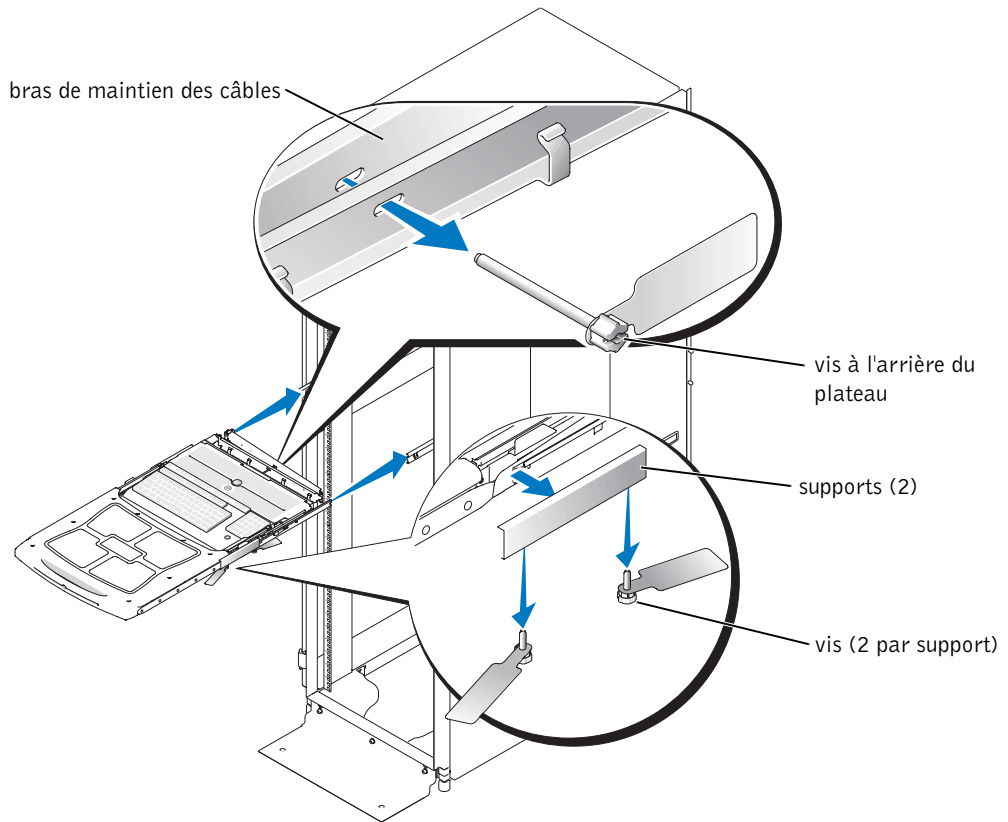


Installation du plateau KMM 1 U dans le rack

- 1** Tirez les deux rails coulissants hors du rack jusqu'à ce qu'ils se bloquent en position entièrement étendue.
- 2** Alignez les rails du plateau KMM 1 U à l'avant des rails coulissants, insérez les rails du plateau dans les rails coulissants, puis poussez progressivement le plateau dans le rack (vous devrez peut-être forcer un peu pour déverrouiller le mécanisme de blocage) jusqu'à ce que les supports métalliques situés sur les côtés du plateau soient au contact des rails verticaux du rack. Voir la Figure 2-6.

- 3 Depuis la partie inférieure du plateau, retirez les deux paires de vis orange qui retiennent les supports. Voir la Figure 2-6. Conservez les vis et les supports dans un lieu sûr.
- ➔ **MISE EN GARDE :** Ne jetez pas les vis et les supports. Ces éléments vous seront utiles si vous retirez le plateau du rack. Voir « Retrait du plateau KMM 1 U du rack ».
- 4 Insérez le plateau dans le rack.

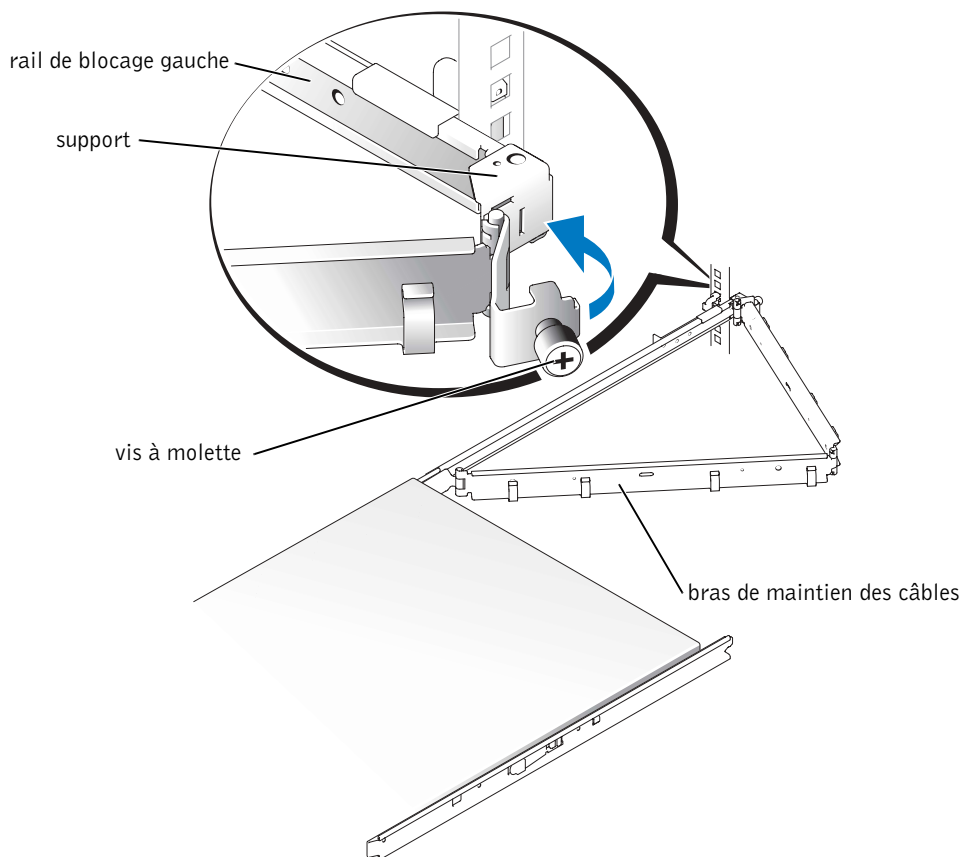
Figure 2-6. Installation du plateau KMM dans le rack



Fixation du bras de maintien des câbles au rack

- 1 Tirez le plateau hors du rack de manière à disposer d'un espace de travail suffisant à l'arrière.
- 2 Depuis l'arrière du rack, retirez la vis orange qui fixe le bras de maintien des câbles à l'arrière du plateau. Voir la Figure 2-6 pour l'emplacement de la vis.
- 3 Dirigez l'extrémité libre du bras de maintien des câbles vers le support situé à l'extrémité du rail de blocage gauche et fixez le bras au support à l'aide de la vis à molette située à l'extrémité du bras. Voir la Figure 2-7.

Figure 2-7. Fixation du bras de maintien des câbles

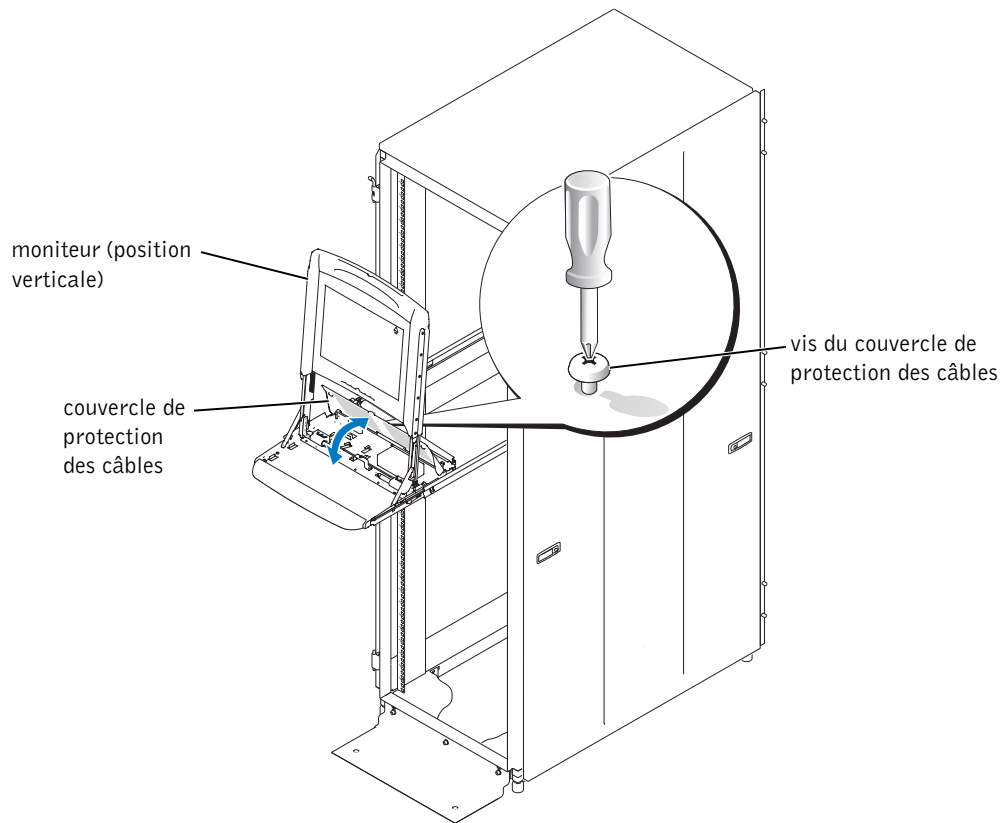


Installation du clavier dans le plateau (Facultatif)

REMARQUE : Si le clavier n'a pas été préinstallé dans le plateau, effectuez les opérations suivantes pour installer le clavier, sinon passez à « Fin de la connexion des câbles ».

- 1 Tirez le plateau jusqu'à ce qu'il se bloque.
- 2 Saisissez le moniteur par sa poignée, placez-le en position verticale et relevez-le complètement. Voir la Figure 2-8.
- 3 Dévissez la vis captive Phillips qui fixe le couvercle de protection des câbles du plateau et faites pivoter le couvercle vers l'arrière. Voir la Figure 2-8.

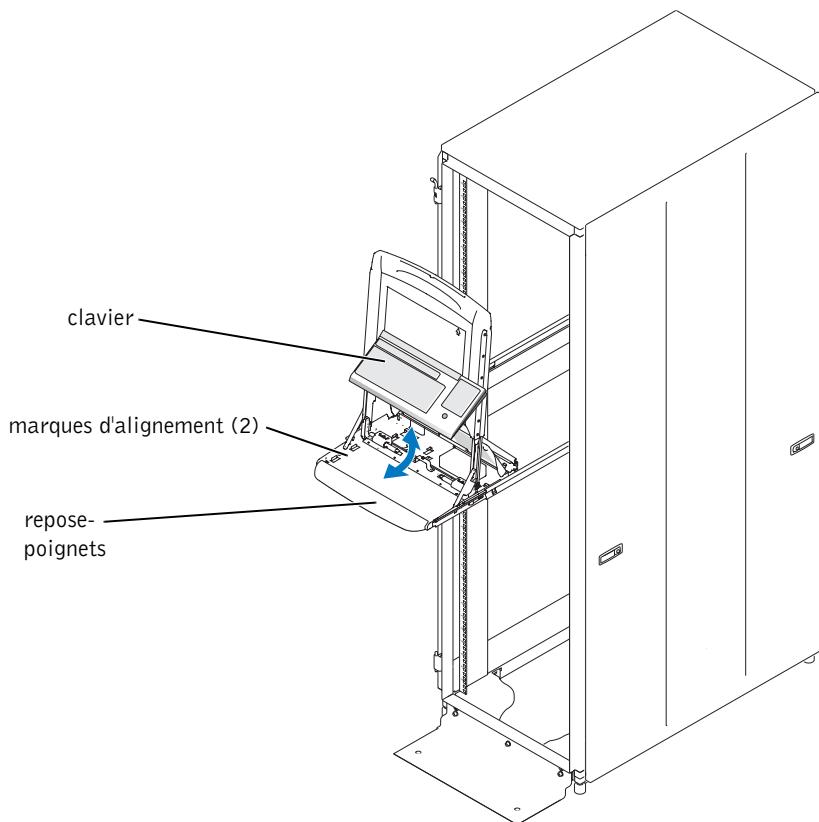
Figure 2-8. Ouverture du couvercle de protection des câbles



REMARQUE : Lorsque vous effectuez l'opération suivante, assurez-vous que le câble du clavier/de la boule de pointage n'entre pas en contact avec le clavier.

- 4 Abaissez l'avant du clavier, faites-le passer sous le repose-poignets et entre les deux marques d'alignement situées sur les côtés du plateau, puis faites pivoter l'arrière du clavier jusqu'à ce qu'il s'enclenche. Voir la Figure 2-9.

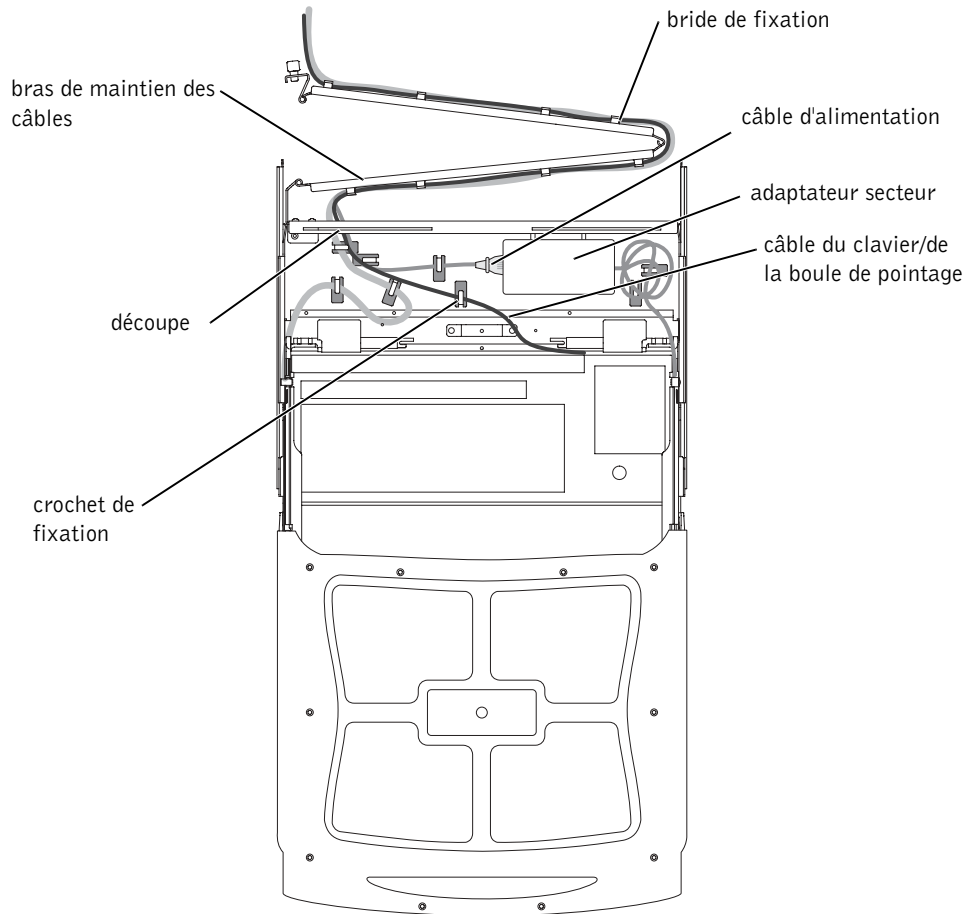
Figure 2-9. Installation du clavier dans le plateau




- 5 Faites passer le câble du clavier/de la boule de pointage du côté gauche dans deux des crochets de fixation situés au bas du boîtier de câbles, puis dans la découpe située à l'arrière du plateau. Voir la Figure 2-10.
- 6 Acheminez le câble du clavier/de la boule de pointage le long du bras et des autres câbles, puis insérez-le dans les languettes de fixation du bras.
- 7 Pour aplatir suffisamment le faisceau de câbles de manière à ce qu'il tienne dans le bras de maintien des câbles, appuyez sur le faisceau de câbles sur toute la longueur du bras.

- 8 Si vous ne remplacez pas le cordon d'alimentation, vous pouvez fermer le couvercle de protection des câbles et resserrer la vis captive Phillips.

Figure 2-10. Acheminement du câble du clavier



Remplacement du câble d'alimentation

 **REMARQUE :** Si le câble correspondant aux spécifications électriques de votre pays n'a pas été préinstallé, effectuez les opérations suivantes pour remplacer le câble d'alimentation existant par le câble approprié fourni avec le kit du plateau KMM 1 U. Sinon passez à « Fin de la connexion des câbles ».

- 1 Débranchez le câble d'alimentation de l'adaptateur secteur et dégagez-le des crochets de fixation situés au bas du boîtier des câbles. Voir la Figure 2-10.
- 2 Retirez le câble d'alimentation du faisceau de câbles du bras de maintien des câbles.
- 3 Branchez le nouveau cordon d'alimentation à l'adaptateur secteur et faites-le passer dans les crochets de fixation situés au bas du boîtier des câbles. Voir la Figure 2-10.
- 4 Ajoutez le nouveau câble d'alimentation au faisceau de câbles en le faisant passer sous les languettes de fixation du bras de maintien des câbles.
- 5 Fermez le couvercle de protection des câbles et resserrez la vis captive Phillips.

Fin de la connexion des câbles

- 1 Si vous le souhaitez, vous pouvez brancher les câbles d'extension du moniteur, du clavier et de la boule de pointage fournis avec le kit du plateau KMM 1 U aux câbles correspondants en sortie du bras de maintien des câbles.
- 2 Terminez la connexion des câbles.

Remise en place des portes du rack

Reportez-vous aux procédures de retrait des portes dans la documentation fournie avec votre armoire rack.

 **ATTENTION :** Compte tenu du poids et de la taille des portes de l'armoire rack, ne retirez ou n'installez jamais les portes seul(e).

Retrait du plateau KMM 1 U du rack

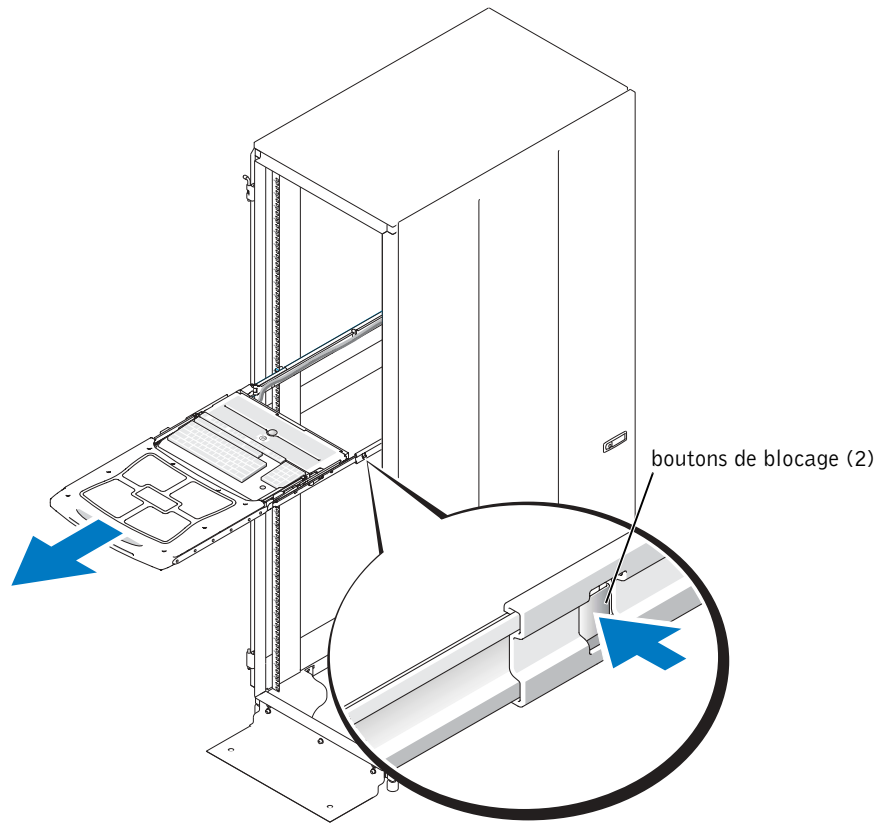
- 1 Dégagez le plateau jusqu'à ce qu'il soit bloqué par les boutons de blocage situés de chaque côté du plateau.
- 2 Remplacez les vis et les supports que vous avez retirés du plateau lors de son installation. Voir la Figure 2-6.

Les supports protègent la partie centrale du plateau lorsque le plateau est retiré du rack ou transporté.

⚠ ATTENTION : Si vous n'avez pas les vis et les supports d'origine, vérifiez qu'un support manuel est assuré au niveau de la partie centrale du plateau lorsque vous le retirez ou le transportez. N'essayez pas de retirer le plateau et de le déplacer en le tenant simplement à l'avant et à l'arrière.


- 3** Pour retirer complètement le plateau, enfoncez simultanément les deux boutons de blocage tout en tirant sur le plateau. Cette opération doit de préférence être effectuée par deux personnes, situées chacune de part et d'autre du plateau. Voir la Figure 2-11.

Figure 2-11. Retrait du plateau KMM 1 U



Utilisation du plateau KMM 1 U

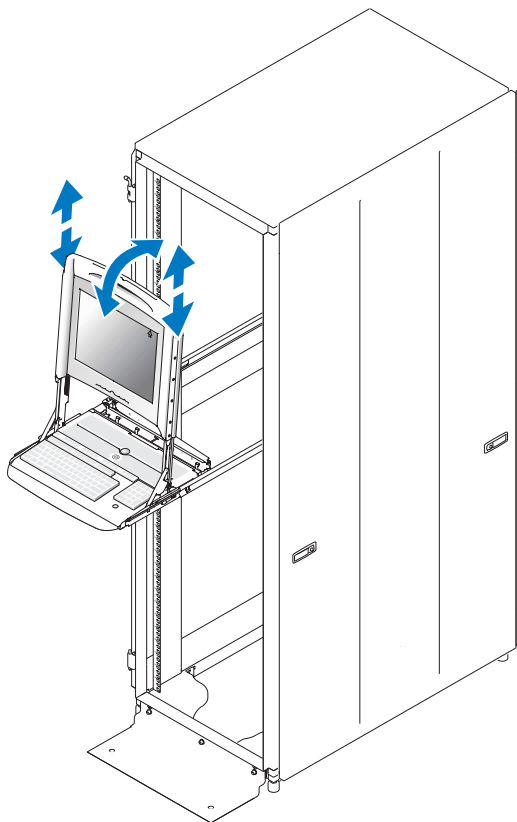
- 1 Tirez le plateau jusqu'à ce qu'il se bloque.
- 2 Saisissez le moniteur et placez-le dans la position souhaitée.

 **REMARQUE :** Si le moniteur est en veille lorsque vous le saisissez, il s'active dès qu'il atteint un angle de 90°.

Le moniteur est maintenu en place par friction.

- Pour régler l'angle, faites pivoter le moniteur vers l'avant et vers l'arrière. Voir la Figure 2-12.
- Pour régler la hauteur, saisissez les deux côtés du moniteur et appliquez la même pression des deux côtés pour le lever et l'abaisser. Voir la Figure 2-12.

Figure 2-12. Réglage de l'angle du moniteur



- 3 Utilisez le bouton d'alimentation du moniteur pour allumer et éteindre le moniteur.



REMARQUE : Pour obtenir des informations supplémentaires sur l'utilisation du moniteur, reportez-vous à la documentation du moniteur fournie avec le kit du plateau.

- 4 Pour terminer la session :

- a (Facultatif) Utilisez le bouton d'alimentation du moniteur pour éteindre le moniteur ou le mettre en veille.



REMARQUE : Le moniteur s'éteint automatiquement lorsque son inclinaison dépasse un angle de 45°.

- b Faites pivoter le moniteur vers le bas en position la plus basse.
- c Insérez le plateau dans le rack.

Dell™ PowerEdge™ Rack Console 15FP

Installationsanleitung



Anmerkung, Hinweis und Vorsicht



ANMERKUNG: Eine ANMERKUNG enthält wichtige Informationen, mit deren Hilfe Sie Ihren Computer besser nutzen können.



HINWEIS: Mit einem HINWEIS wird auf eine mögliche Beschädigung von Hardware oder den Verlust von Daten hingewiesen und erläutert, wie dieses Problem vermieden werden kann.



VORSICHT: VORSICHT weist darauf hin, dass Gefahr eines Sach- oder Personenschadens oder Lebensgefahr besteht.

Die in diesem Dokument enthaltenen Informationen können ohne Vorankündigung geändert werden.

© 2003 Dell Computer Corporation. Alle Rechte vorbehalten.

Eine Reproduktion dieses Dokuments in jeglicher Form ist nur mit vorheriger schriftlicher Genehmigung der Dell Computer Corporation erlaubt.

Die in diesem Text verwendeten Marken *Dell*, das *DELL*-Logo, *RapidRails* und *VersaRails* sind Marken der Dell Computer Corporation.

Andere in diesem Dokument möglicherweise verwendete Marken und Handelsbezeichnungen sind unter Umständen Marken und Namen der entsprechenden Firmen oder ihrer Produkte. Die Dell Computer Corporation erhebt keinen Anspruch auf Marken und Handelsnamen mit Ausnahme ihrer eigenen.

April 2003 P/N 8X738 Rev. A00

Inhalt

VORSICHT: Sicherheitshinweise	3-1
Montieren von Systemen im Rack	3-1
Installieren der Dell™ Rack Console 15FP	3-2
Rack-Anforderungen für VersaRails	3-3
Wichtige Sicherheitshinweise	3-3
Empfohlene Werkzeuge und Zubehör	3-4
Inhalt des KMM-Einschub-Kits	3-4
Installieren des 1-U-KMM-Einschubs	3-5
Abnehmen der Rack-Türen	3-6
Markieren des Racks	3-6
Einbauen der RapidRails-Gleitschienen	3-8
Einbauen der VersaRails-Gleitschienen	3-10
Installieren des 1-U-KMM-Einschubs im Rack	3-11
Befestigung des Kabelarms am Rack	3-13
Installieren der Tastatur auf dem Einschub (Optional)	3-14
Austauschen des Netzkabels	3-17
Anschließen der Kabel	3-17
Wiederanbringen der Rack-Türen	3-17
Ausbauen des 1-U-KMM-Einschubs aus dem Rack	3-17
Verwenden des 1-U-KMM-Einschubs	3-19

Abbildungen

Abbildung 3-1.	Inhalt des 1-U-KMM-Einschub-Kits	3-5
Abbildung 3-2.	Eine Rack-Einheit	3-7
Abbildung 3-3.	Markieren der vertikalen Schienen	3-8

Abbildung 3-4.	Einbauen der RapidRails-Gleitschienen	3-9
Abbildung 3-5.	Einbauen der VersaRails-Gleitschienen	3-11
Abbildung 3-6.	Installieren des KMM-Einschubs im Rack	3-12
Abbildung 3-7.	Befestigen des Kabelarms	3-13
Abbildung 3-8.	Öffnen des Kabelfachs	3-14
Abbildung 3-9.	Installieren der Tastatur auf dem Einschub	3-15
Abbildung 3-10.	Führen des Tastaturkabels	3-16
Abbildung 3-11.	Ausbauen des 1-U-KMM-Einschubs	3-18
Abbildung 3-12.	Ausrichten des Monitors	3-20


VORSICHT: Sicherheitshinweise

Beachten Sie die nachfolgenden Sicherheitshinweise, um Ihre eigene Sicherheit zu gewährleisten und eine Beschädigung Ihres Systems sowie Ihrer Arbeitsumgebung zu vermeiden. Vollständige Informationen über die Sicherheitsanforderungen finden Sie in den *Systeminformationen*.


Montieren von Systemen im Rack

Folgende Vorsichtsmaßnahmen dienen der Stabilität und Sicherheit des Racks.


Systeme gelten als Komponenten in einem Rack. Der Begriff "Komponente" kann also ein beliebiges System oder verschiedene Peripheriegeräte oder Zusatzhardware bezeichnen.

 **VORSICHT: Werden Systemkomponenten in einem Rack installiert, an dem die vorderen und seitlichen Stabilisatoren fehlen, kann das Rack umkippen, was unter Umständen schwere Verletzungen zur Folge haben kann. Befestigen Sie daher immer zuerst die Stabilisatoren, bevor Sie Komponenten im Rack einbauen.**

Ziehen Sie nach dem Einbau von Systemen/Komponenten in einem Rack niemals mehr als eine Komponente gleichzeitig auf ihren Gleitschienen aus dem Rack. Durch das Gewicht von mehr als einer Komponente kann das Rack umkippen und Verletzungen verursachen.

 **ANMERKUNG:** Ihr System ist als frei stehende Einheit und für die Verwendung als Komponente in Dell™-Racks sicherheitszertifiziert, wobei das Customer Rack Kit eingesetzt werden muss. Der Einbau Ihres Systems und Rack-Kits in anderen Racks wurde von keiner Prüfbehörde untersucht. Sie sind selbst dafür verantwortlich, dass die endgültige Kombination von System und Rack alle geltenden Sicherheitsstandards und die lokalen Elektrizitätsrichtlinien erfüllt. Dell lehnt jede Haftung und Gewährleistung für solche Kombinationen ab.

- System-Rack-Kits müssen von geschulten Servicetechnikern in einem Rack installiert werden. Wenn Sie das Kit in einem anderen Rack installieren, vergewissern Sie sich, dass das Rack die Spezifikationen eines Dell-Racks erfüllt.


 **VORSICHT: Große Racks dürfen nicht von einer Person allein bewegt werden. Wegen der Höhe und des Gewichtes des Racks sollte diese Arbeit mit mindestens zwei Personen durchgeführt werden.**

- Bevor Sie an einem Rack arbeiten, vergewissern Sie sich, dass die Stabilisatoren sicher am Rack befestigt sind, fest auf dem Boden aufliegen und dass das gesamte Gewicht des Racks auf dem Boden lastet. Montieren Sie an einem einzelnen Rack vordere und seitliche Stabilisatoren, an mehreren miteinander verbundenen Racks vordere Stabilisatoren, bevor Sie Arbeiten am Rack durchführen.

VORSICHT: Sicherheitshinweise (Fortsetzung)

- Bestücken Sie das Rack immer von unten nach oben, und bauen Sie die schwerste Komponente zuerst in das Rack ein.
- Vergewissern Sie sich, dass das Rack gerade und stabil steht, bevor Sie eine Komponente aus dem Rack ziehen.
- Achten Sie auf Ihre Finger, wenn Sie auf die Schienenverriegelung der Komponente drücken und eine Komponente in das Rack schieben oder aus dem Rack ziehen: Quetschgefahr!
- Wenn Sie eine Komponente in das Rack eingesetzt haben, ziehen Sie die Schienen vorsichtig in eine Verriegelungsposition heraus und schieben Sie dann die Komponente in das Rack.
- Überlasten Sie nicht den Wechselstromkreis, über den das Rack mit Strom versorgt wird. Die Gesamtlast des Racks sollte 80 Prozent der Nennbelastbarkeit des Stromkreises nicht überschreiten.
- Überprüfen Sie, ob eine ausreichende Luftzufuhr zu den Komponenten im Rack gewährleistet ist.
- Treten Sie nicht auf Komponenten oder stellen sich darauf, wenn Sie an anderen Komponenten in einem Rack Arbeiten durchführen.


Installieren der Dell™ Rack Console 15FP

 **ANMERKUNG:** Eine Einheit bzw. U (Unit) entspricht 1,75 Zoll (vertikal).

Diese Anleitung enthält Anweisungen zur Installation und Verwendung der Dell™ PowerEdge™ Rack Console 15FP (im folgenden 1-U-KMM-Einschub [Keyboard/Monitor/Mouse] genannt) in einem Gestellschrank mit vier Stützen. Zum Einschub gehört eine Tastatur mit Trackball sowie ein Flachbildschirm, der bei Bedarf ausgeklappt werden kann. Mit dem integrierten Kabelarm werden das Netzkabel sowie die Monitor-, Tastatur- und Trackballkabel auf die Rückseite des Racks geführt. Bei Bedarf können sie mit den beiliegenden Verlängerungskabeln verlängert werden. Das Monitornetzkabel ist bereits im Kabelfach angebracht.

Sie können zum Einbau des Einschubs wahlweise RapidRails™ oder VersaRails™ verwenden. RapidRails können ohne Werkzeug in allen Gestellschränken des Systemherstellers montiert werden; VersaRails sind für die meisten Standardgestellschränke geeignet. Diese Anleitung enthält Anweisungen zum Einbau beider Schienensysteme.

Rack-Anforderungen für VersaRails

-  **HINWEIS:** Das VersaRails-Rack-Kit muss von geschulten Servicetechnikern in einem Rack installiert werden, das den Spezifikationen des American National Standards Institute (ANSI) / Electronic Industries Association (EIA) Standard ANSI/EIA-310-D-92, der International Electrotechnical Commission (IEC) 297 und der Deutschen Industrie Norm (DIN) 41494 entspricht. Für jedes im Rack installierte System wird ein Rack-Kit benötigt.

Bevor Sie mit dem Einbau beginnen, lesen Sie die gesamte Beschreibung sorgfältig durch.

Wichtige Sicherheitshinweise

Beachten Sie bei der Installation der Komponenten im Rack die folgenden Sicherheitshinweise.

-  **VORSICHT:** Befolgen Sie die in diesem Dokument angegebene Vorgehensweise genau, um sich selbst und Ihre Mitarbeiter nicht zu gefährden. Ihr System kann sehr groß und schwer sein. Sie sollten die Installation sorgfältig vorbereiten und planen, um Verletzungen zu vermeiden. Dies gilt besonders, wenn Systeme weiter oben im Rack installiert werden.
-  **VORSICHT:** Die Gestellschränke können sehr schwer sein und leicht auf ihren Rollen wegrollen. Es gibt keine Bremsen! Bewegen Sie den Gestellschrank nur mit größter Vorsicht. Fahren Sie die höhenverstellbaren Füße ein, bevor Sie den Gestellschrank bewegen. Vermeiden Sie lange bzw. steile Neigungen oder Rampen, auf denen Sie die Kontrolle über den Gestellschrank verlieren könnten. Fahren Sie die höhenverstellbaren Füße aus, damit der Gestellschrank abgestützt wird und nicht wegrollen kann.
-  **VORSICHT:** Werden Komponenten in einem Rack installiert, dessen vordere und seitliche Stabilisatoren nicht montiert und im Boden verankert wurden, kann das Rack umkippen. Dies kann unter Umständen zu schweren Verletzungen führen. Montieren und verankern Sie daher immer erst die Stabilisatoren, bevor Sie Komponenten im Rack einbauen.

Empfohlene Werkzeuge und Zubehör

Für die Installation des Systems in einem Rack mit vier Stützen benötigen Sie eventuell folgende Werkzeuge und Zubehörteile:

- Einen Kreuzschlitz-Schraubendreher Nr. 2 (nur für den Einbau der VersaRails)
- Kreppband oder einen Filzstift zur Markierung der verwendeten Montagelöcher

Inhalt des KMM-Einschub-Kits

Das KMM-Einschub-Kit enthält folgende Teile: Siehe Abbildung 3-1.

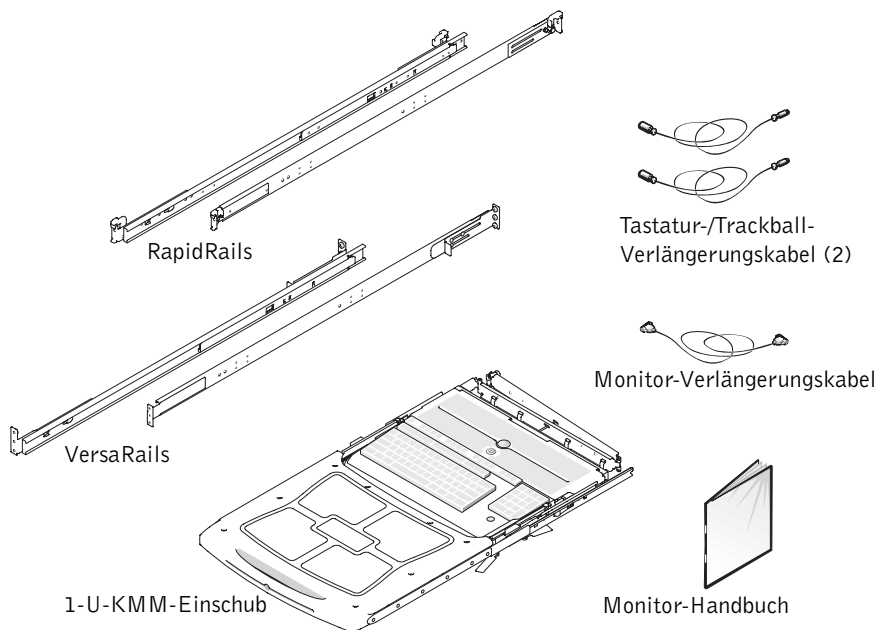
- Einen 1-U-KMM-Einschub mit Flachbildschirm, Kabelarm und Monitor-Stromversorgung; in einigen Ländern außerdem mit einer Tastatur mit Trackball



ANMERKUNG: Falls die Tastatur in Ihrem Fall nicht bereits vorinstalliert ist, benötigen Sie eine separate Dell-Tastatur für den Einbau in einem Rack.

- Ein Paar RapidRails- oder VersaRails-Gleitschienen
- Ein Monitor-Verlängerungskabel
- Zwei Tastatur-/Trackball-Verlängerungskabel
- Monitor-Handbuch
- 10-32 x 0,5 Zoll Kreuzschlitz-Bundschrauben und Zentrierscheiben (vier Paar bei einem RapidRails-Satz; acht Paar bei einem VersaRails-Satz) (in Abbildung 3-1 nicht dargestellt)
- Ein oder mehrere regionsspezifische Netzkabel (in Abbildung 3-1 nicht dargestellt)

Abbildung 3-1. Inhalt des 1-U-KMM-Einschub-Kits



Installieren des 1-U-KMM-Einschubs

Beim Installieren eines 1-U-KMM-Einschubs sind die folgenden Arbeitsschritte in der angegebenen Reihenfolge auszuführen:

- 1 Abnehmen der Rack-Türen
- 2 Markieren des Racks
- 3 Einbauen der Gleitschienen (RapidRails oder VersaRails) im Rack
- 4 Installieren des KMM-Einschubs im Rack
- 5 Befestigen des Kabelarms am Rack
- 6 Installieren der Tastatur auf dem Einschub (sofern Tastatur und Einschub separat geliefert wurden)
- 7 Austauschen des Netzkabels (sofern erforderlich)
- 8 Anschließen der Kabel
- 9 Wiederanbringen der Rack-Türen

Abnehmen der Rack-Türen

Siehe Vorgehensweise zum Entfernen der Türen in der Dokumentation Ihres Racks.



VORSICHT: Wegen der Größe und des Gewichts der Rack-Türen sollten Sie keinesfalls versuchen, sie alleine abzunehmen oder einzubauen.



VORSICHT: Verstauen Sie die Türen so, dass niemand verletzt wird, falls sie versehentlich umfallen.

Markieren des Racks

Lassen Sie für den Einbau des Einschubs im Rack einen vertikalen Abstand von 1 Einheit (U = 44 mm/1,75 Zoll). Gestellschränke, die der Norm EIA-310 entsprechen, haben ein sich wiederholendes Muster aus drei Löchern pro Rack-Einheit, deren Mittenabstand zueinander (beginnend in der Mitte des oberen Lochs einer 1-U-Einheit) an den vorderen und hinteren vertikalen Schienen 15,9 mm, 15,9 mm und 12,7 mm (0,625, 0,625 und 0,5 Zoll) beträgt. Siehe Abbildung 3-2. Die Racks haben meist runde oder rechteckige Löcher.



ANMERKUNG: Die vertikalen Schienen sind eventuell in Abständen von 1 U mit horizontalen Linien und Zahlen markiert. Notieren Sie sich die Nummer der Markierung auf der vertikalen Schiene. So brauchen Sie keine zusätzlichen Markierungen oder Kreppband am Rack anzubringen. Wenn Sie sich für dieses Verfahren entscheiden, gehen Sie direkt zum Abschnitt „Einbauen der RapidRails-Gleitschienen“.



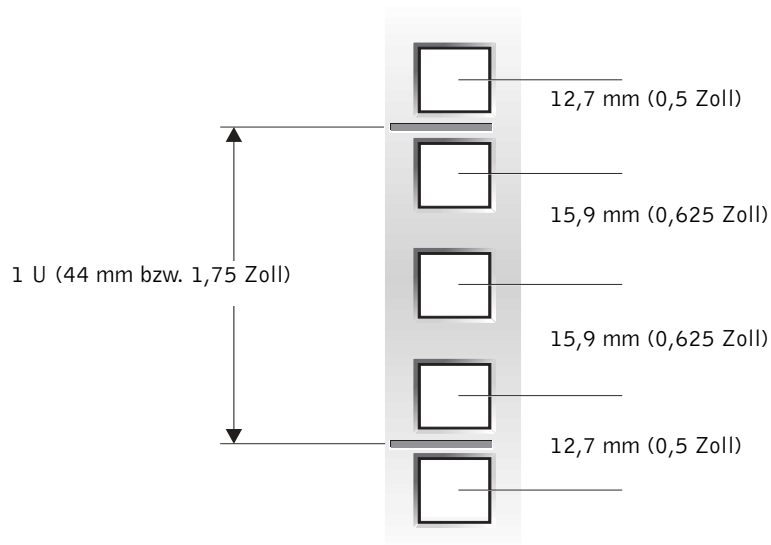
ANMERKUNG: Der Einbau des 1-U-KMM-Einschubs in der obersten U-Einheit des Dell PowerEdge 2410 Racks ist nicht zu empfehlen.

Zum Markieren des Racks gehen Sie wie folgt vor:

- 1 Markieren Sie die vorderen vertikalen Schienen des Racks an der Stelle mit einem Filzstift oder Kreppband, an der sich die Unterseite des 1-U-KMM-Einschubs befinden soll.

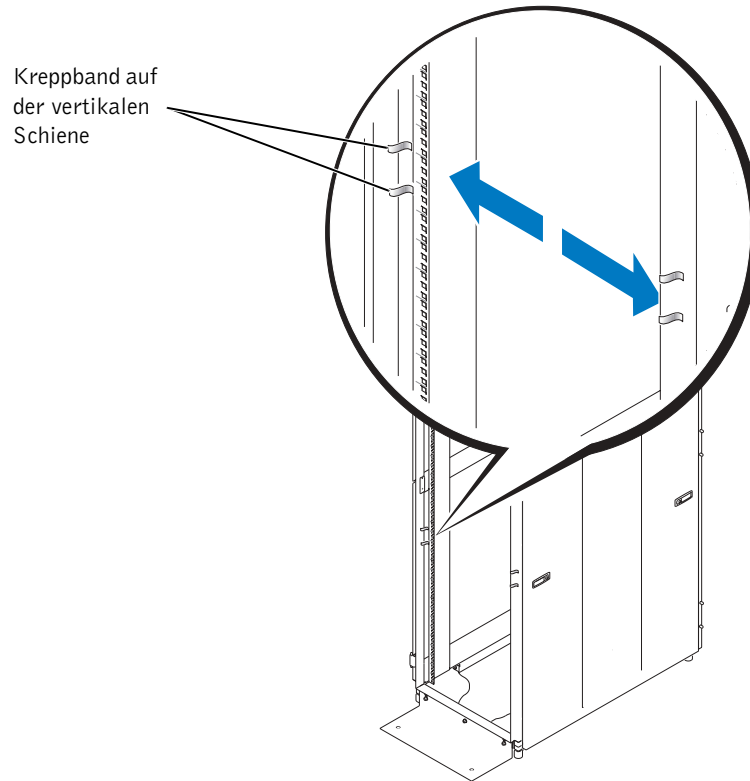
Die Unterkante jeder 1-U-Einheit befindet sich in der Mitte des schmalsten Metallstücks zwischen den Löchern (bei einigen Racks mit einer horizontalen Linie gekennzeichnet). Siehe Abbildung 3-2.

Abbildung 3-2. Eine Rack-Einheit



- 2 Markieren Sie die vorderen Schienen 44 mm (1,75 Zoll) über der ersten Markierung (wenn das Rack dem Standard EIA-310 entspricht, zählen Sie drei Löcher nach oben, und bringen Sie eine Markierung über dem obersten Loch an).

Diese Markierung zeigt die spätere Position der Oberkante des Einschubs an den vertikalen Schienen an. Siehe Abbildung 3-3.

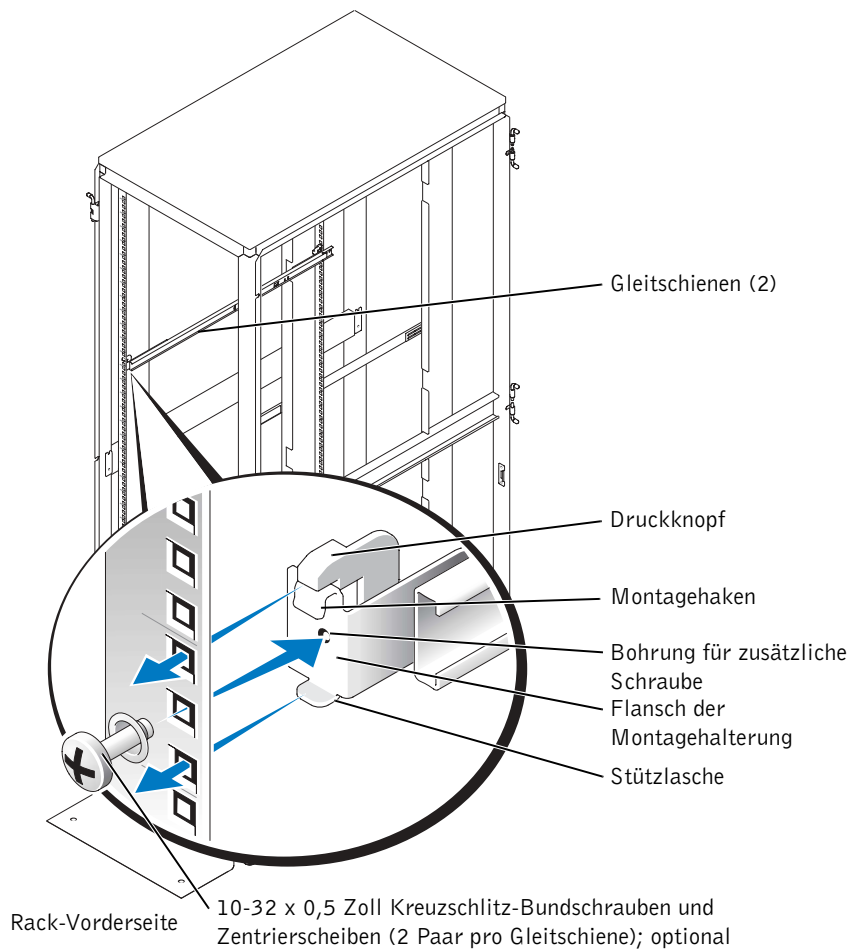
Abbildung 3-3. Markieren der vertikalen Schienen**Einbauen der RapidRails-Gleitschienen**

- 1 Setzen Sie eine der RapidRails-Gleitschienen so an der Vorderseite des Gestellschranks an, dass der Montagehalterungsflansch zwischen den Markierungen bzw. dem Kreppband am Rack zu liegen kommt. Siehe Abbildung 3-4.

Achten Sie darauf, dass der Montagehaken auf dem vorderen Montagehalterungsflansch der Gleitschiene im obersten Loch zwischen Ihren Markierungen auf den vertikalen Schienen greift.

- 2 Drücken Sie die Gleitschiene nach vorn, bis die Montagehaken in den rechteckigen Löchern auf der vertikalen Schiene positioniert sind. Drücken Sie dann den Montagehalterungsflansch nach unten, bis die Montagehaken in die rechteckigen Löcher einrasten und der Druckknopf mit einem Klicken herauspringt. Siehe Abbildung 3-4.

Abbildung 3-4. Einbauen der RapidRails-Gleitschienen



- 3 Ziehen Sie an der Rückseite des Gestellschranks den Flansch der Montagehalterung nach hinten, bis die Montagehaken in den zugehörigen rechteckigen Löchern positioniert sind. Drücken Sie dann den Montagehalterungsflansch nach unten, bis die Montagehaken in die rechteckigen Löcher einrasten und der Druckknopf mit einem Klicken herauspringt.
- 4 Wiederholen Sie Schritt 1 bis 3 für die Gleitschienen auf der anderen Seite des Racks.

ANMERKUNG: Achten Sie darauf, die Schienen auf beiden Rack-Seiten in der gleichen Höhe auf den vertikalen Schienen anzubringen.

- 5 (Optional) Bei Bedarf können Sie die Gleitschiene zusätzlich mit den vier 10-32 x 0,5 Zoll Kreuzschlitz-Bundschrauben und Zentrierscheiben sichern, die im Lieferumfang des I-U KMM-Kits enthalten sind. Schieben Sie über jede Schraube eine Zentrierscheibe. Stecken Sie dann auf beiden Seiten jeweils eine Schraube durch das mittlere eckige Loch der Schiene und anschließend in die entsprechende Bohrung des Montagehalterungsflanschs, und ziehen Sie sie fest. Siehe Abbildung 3-4.

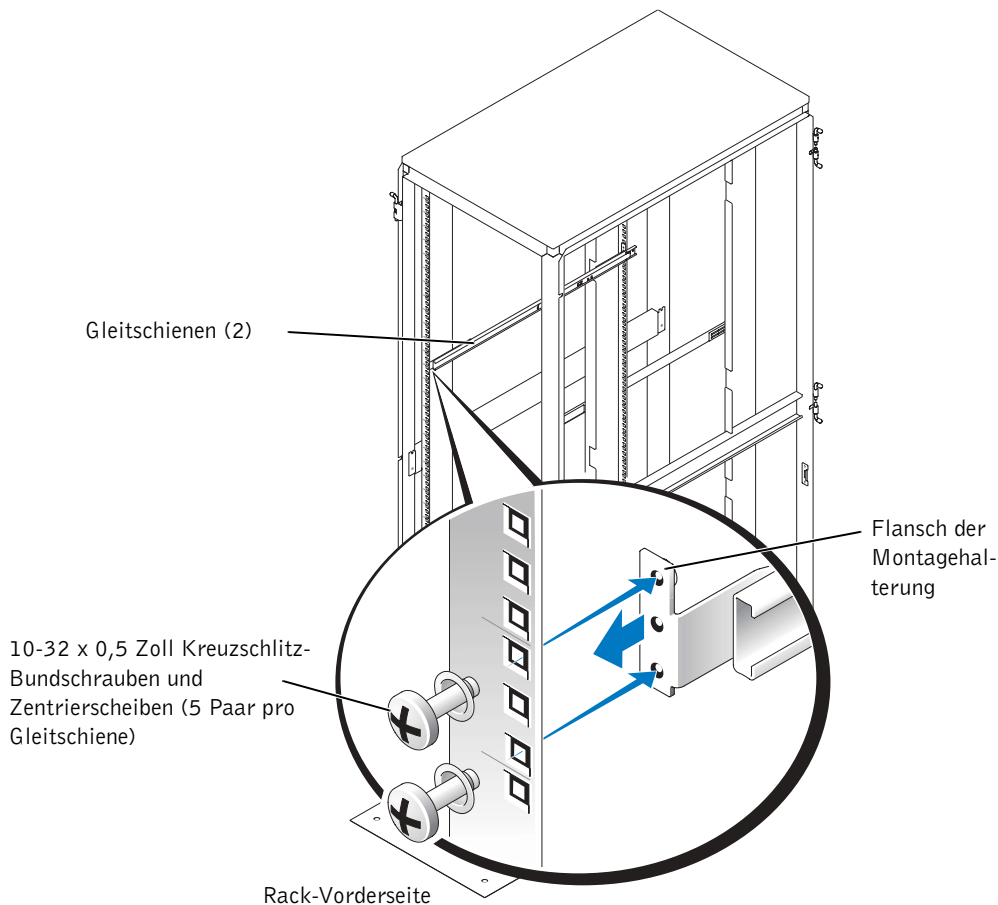
Einbauen der VersaRails-Gleitschienen

- 1 Setzen Sie eine der VersaRails-Gleitschienen so an der Vorderseite des Gestellschranks an, dass der Montagehalterungsflansch zwischen den Markierungen bzw. dem Kreppband am Rack zu liegen kommt. Siehe Abbildung 3-5.

Achten Sie darauf, dass die drei Löcher an der Vorderseite der Montagehalterung mit drei Löchern zwischen Ihren Markierungen an der vorderen vertikalen Schiene übereinstimmen.

- 2 Befestigen Sie die Gleitschiene von außen mit zwei 10-32 x 0,5 Zoll Kreuzschlitz-Bundschrauben an der vorderen vertikalen Schiene. Schieben Sie eine Zentrierscheibe auf die Schrauben. Stecken Sie die Schrauben dann durch die vertikale Schiene in die oberen und unteren Löcher des Montageflanschs. Siehe Abbildung 3-5.
- 3 Ziehen Sie den Montagehalterungsflansch auf der Rack-Rückseite nach hinten, bis seine Montagelöcher mit den rechteckigen Löchern auf der hinteren vertikalen Schiene übereinstimmen.
- 4 Befestigen Sie die Gleitschiene mit zwei 10-32 x 0,5 Zoll Kreuzschlitz-Bundschrauben und Zentrierscheiben an der hinteren vertikalen Schiene.
- 5 Wiederholen Sie Schritt 1 bis Schritt 4 für die Gleitschienen auf der anderen Seite des Racks.
- 6 Achten Sie darauf, die Schienen auf beiden Rack-Seiten in der gleichen Höhe auf den vertikalen Schienen anzubringen.

Abbildung 3-5. Einbauen der VersaRails-Gleitschienen

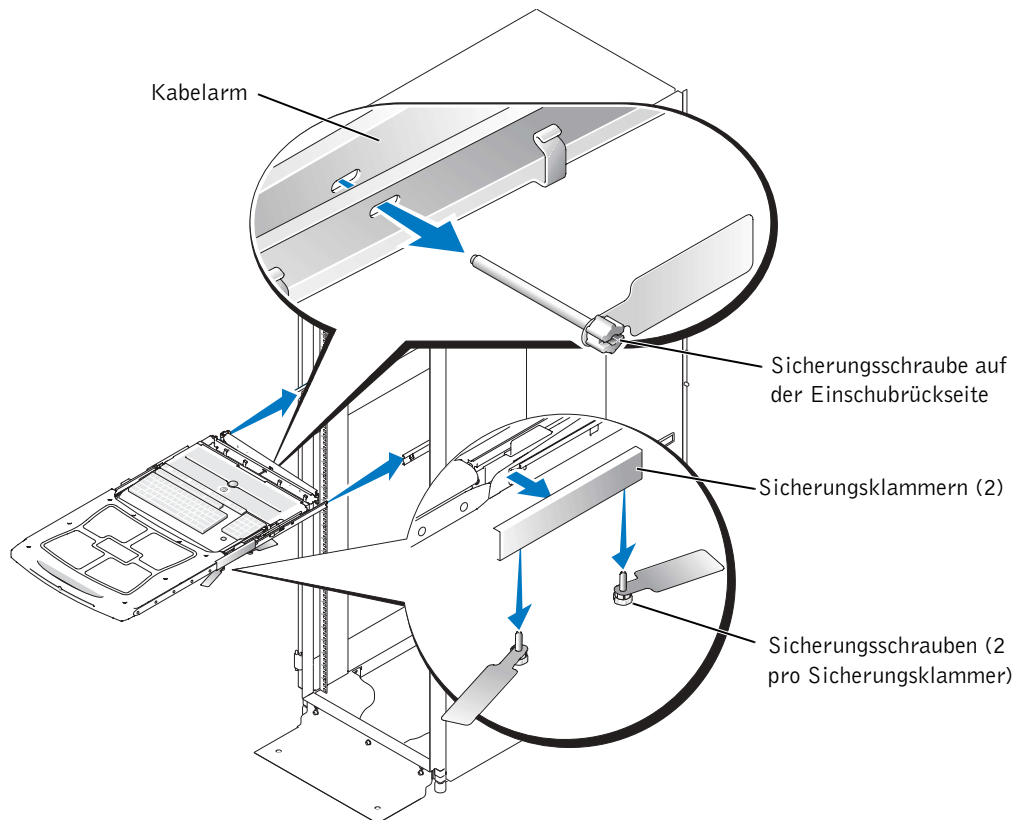


Installieren des 1-U-KMM-Einschubs im Rack

- 1** Ziehen Sie die linken und rechten Gleitschienen vollständig heraus, bis sie einrasten.
- 2** Richten Sie die Schienen des 1-U-KMM-Einschubs auf die vorderen Enden der Gleitschienen aus. Schieben Sie die Schienen am Einschub in die Gleitschienen, und drücken Sie den Einschub gleichmäßig in das Rack (möglicherweise müssen Sie etwas fester drücken, um den Verriegelungsmechanismus zu überwinden), bis die metallenen Sicherungsklammern an den Seiten des Einschubs die vertikalen Schienen des Racks berühren. Siehe Abbildung 3-6.

- 3 Entfernen Sie auf der Unterseite des Einschubs die beiden orangefarbenen Sicherungsschrauben, mit denen die Sicherungsklammern befestigt sind. Siehe Abbildung 3-6. Bewahren Sie die Sicherungsklammern und -schrauben auf.
- ➔ **HINWEIS:** Werfen Sie die Sicherungsklammern und -schrauben nicht weg. Sie benötigen sie, wenn Sie den Einschub wieder aus dem Rack entfernen möchten. Siehe hierzu "Ausbauen des 1-U-KMM-Einbaus aus dem Rack".
- 4 Schieben Sie den Einschub fast vollständig in das Rack.

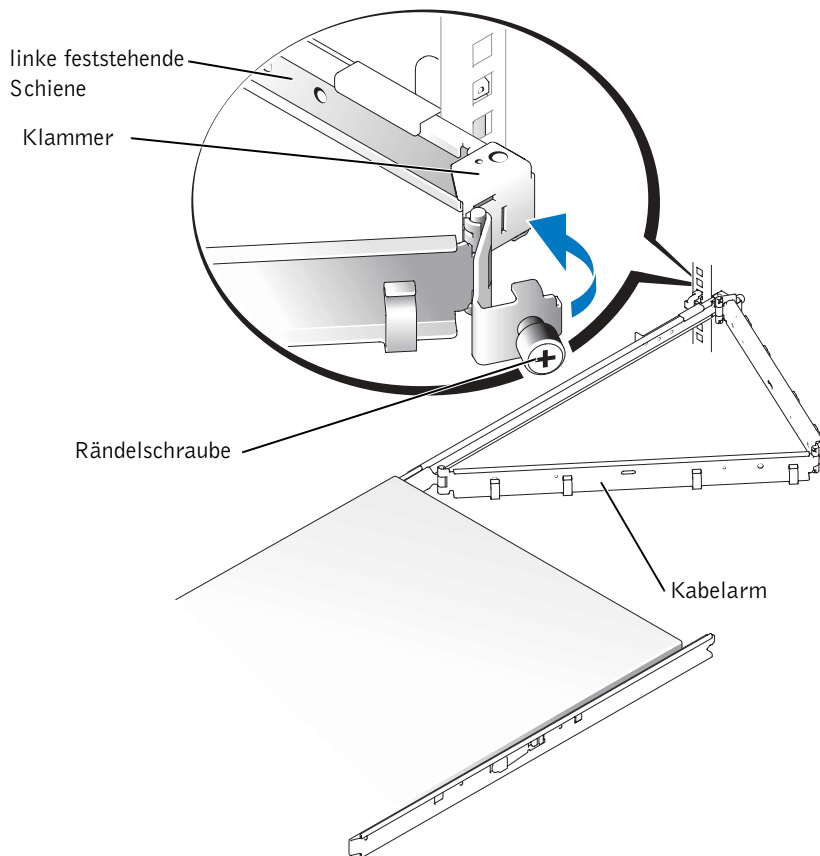
Abbildung 3-6. Installieren des KMM-Einbaus im Rack



Befestigung des Kabelarms am Rack

- 1 Ziehen Sie den Einschub so weit aus dem Rack heraus, bis Sie auf der Rückseite des Racks genug Platz zum Arbeiten haben.
- 2 Entfernen Sie von der Rückseite des Racks aus die orangefarbene Sicherungsschraube, mit der der Kabelarm an der Rückseite des Einschubs befestigt ist. Die Position der Schraube können Sie Abbildung 3-6 entnehmen.
- 3 Ziehen Sie das freie Ende des Kabelarms zu der Klammer am Ende der linken feststehenden Schiene. Befestigen Sie den Arm dann mit der Rändelschraube, die sich am Ende des Arms befindet, an der Klammer. Siehe Abbildung 3-7.

Abbildung 3-7. Befestigen des Kabelarms

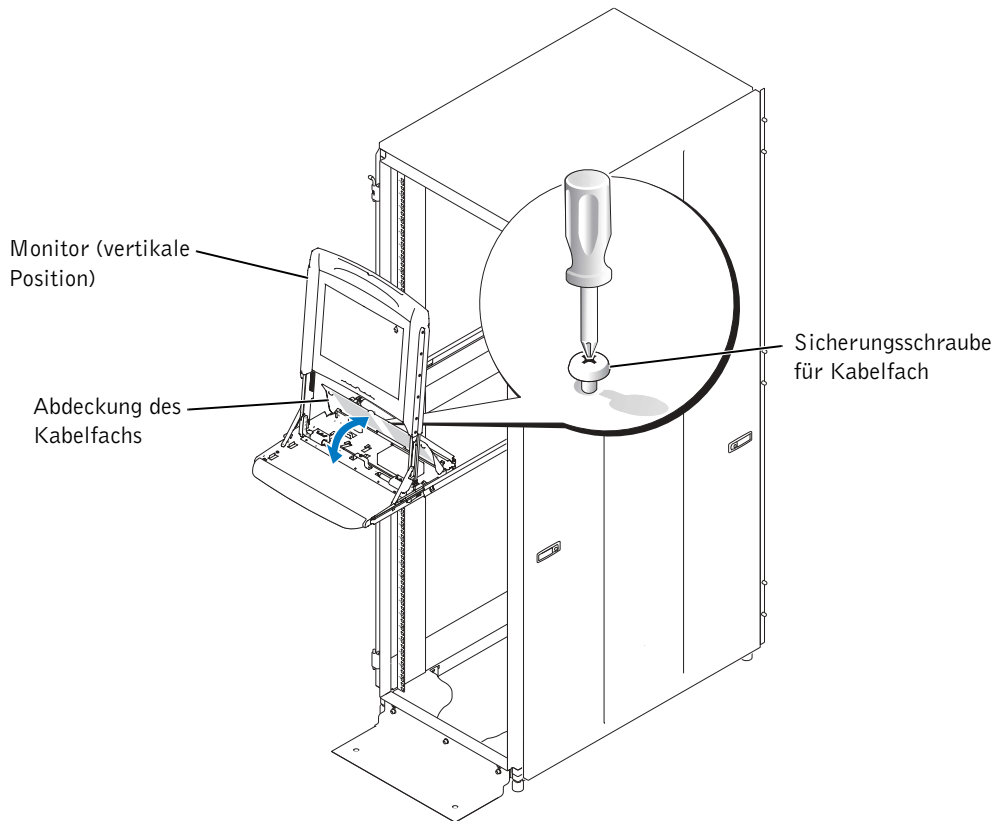


Installieren der Tastatur auf dem Einschub (Optional)

ANMERKUNG: Falls die Tastatur nicht bereits auf dem Einschub installiert ist, führen Sie die folgenden Schritte aus. Andernfalls können Sie mit "Anschließen der Kabel" fortfahren.

- 1 Ziehen Sie den Einschub heraus, bis er einrastet.
- 2 Fassen Sie den Monitor am Griff an, klappen Sie ihn in eine vertikale Position, und ziehen Sie ihn ganz nach oben. Siehe Abbildung 3-8.
- 3 Lösen Sie die Sicherungsschraube, mit der die Abdeckung des Kabelfachs am Einschub befestigt ist, und klappen Sie die Abdeckung nach hinten. Siehe Abbildung 3-8.

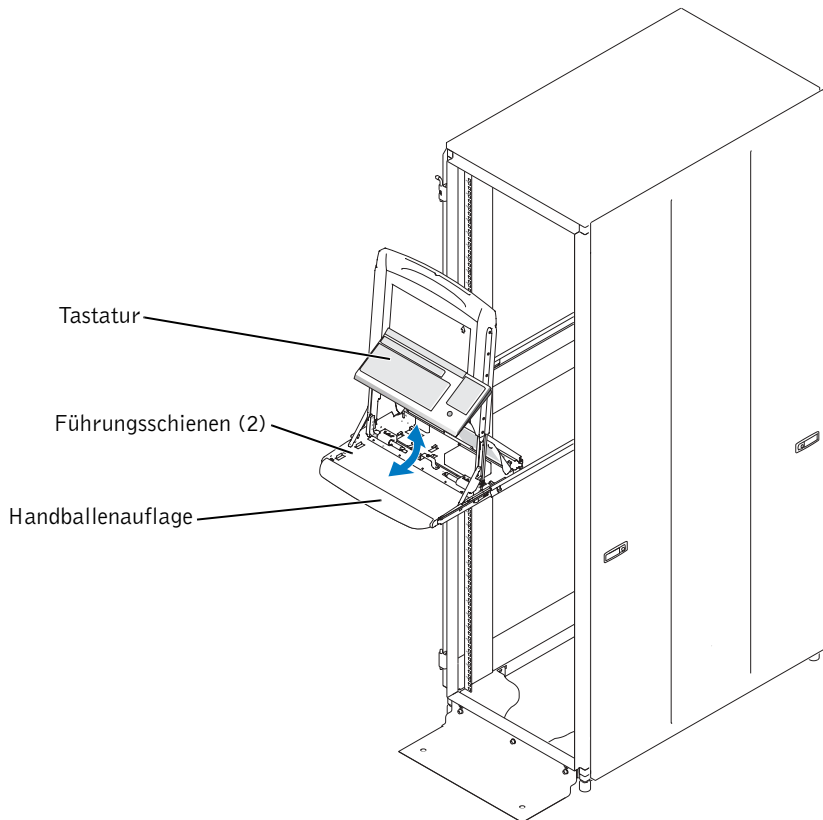
Abbildung 3-8. Öffnen des Kabelfachs



ANMERKUNG: Achten Sie beim Ausführen der folgenden Schritte darauf, dass das Tastatur-/Trackball-Kabel nicht eingeklemmt wird.

- 4 Halten Sie die Tastatur mit dem vorderen Teil nach unten. Schieben Sie sie unter die Handballenauflage und zwischen die beiden Führungsschienen, die seitlich auf dem Einschub angebracht sind. Drücken Sie den hinteren Teil der Tastatur nach unten, bis die Tastatur einrastet. Siehe Abbildung 3-9.

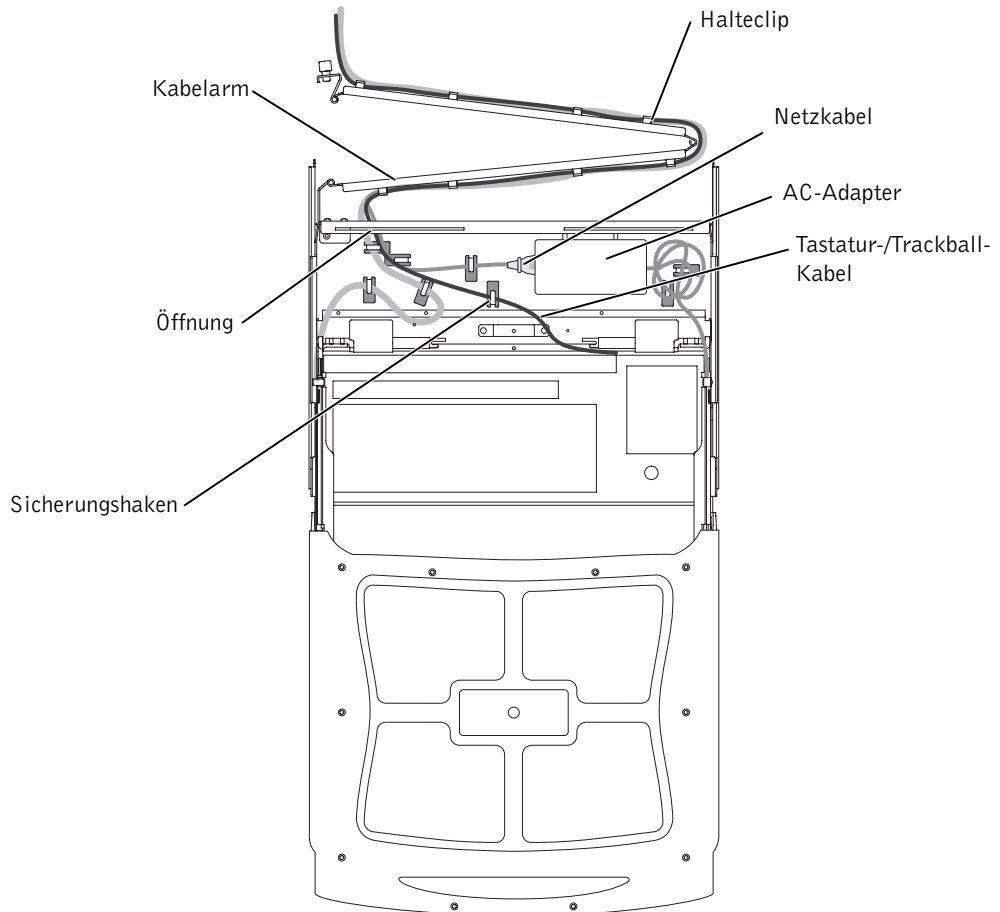
Abbildung 3-9. Installieren der Tastatur auf dem Einschub



- 5 Legen Sie das Tastatur-/Trackball-Kabel nach links, indem Sie es durch die beiden Sicherungshaken auf der Unterseite des Kabelfachs schieben. Führen Sie es dann durch die Öffnung auf der Rückseite des Einschubs nach außen. Siehe Abbildung 3-10.
- 6 Führen Sie das Tastatur-/Trackball-Kabel zusammen mit den anderen Kabeln am Kabelarm entlang. Drücken Sie es in die Halteclips, die am Kabelarm angebracht sind.

- 7 Damit das Kabelbündel im Kabelarm bleibt, drücken Sie das Kabelbündel auf der gesamten Länge des Kabelarms fest gegen den Arm.
- 8 Sofern nicht noch das Netzkabel ausgetauscht werden muss, schließen Sie das Kabelfach, und befestigen Sie die Abdeckung wieder mit der Sicherungsschraube.

Abbildung 3-10. Führen des Tastaturkabels



Austauschen des Netzkabels



ANMERKUNG: Sofern das für Ihre Region erforderliche Netzkabel nicht bereits angeschlossen ist, tauschen Sie das Netzkabel gegen ein passendes Kabel aus dem 1-U-KMM-Einschub-Kit aus. Führen Sie dazu die folgenden Schritte durch. Falls bereits das richtige Kabel angeschlossen ist, fahren Sie mit dem Abschnitt "Anschließen der Kabel" fort.

- 1 Lösen Sie das Netzkabel vom AC-Adapter. Ziehen Sie es dann aus den Sicherungshaken auf der Unterseite der Kabelfachs. Siehe Abbildung 3-10.
- 2 Lösen Sie das Netzkabel aus dem Kabelbündel im Kabelarm.
- 3 Schließen Sie das neue Netzkabel an den AC-Adapter an, und führen Sie es unter den Sicherungshaken auf der Unterseite des Kabelfachs durch. Siehe Abbildung 3-10.
- 4 Führen Sie das neue Kabel zusammen mit dem Kabelbündel am Kabelarm entlang, und befestigen Sie es mit den Halteclips.
- 5 Schließen Sie die Abdeckung des Kabelfachs, und ziehen Sie die Sicherungsschraube fest.

Anschließen der Kabel

- 1 Bei Bedarf können Sie die Tastatur-, Trackball- und Monitorkabel mit den Verlängerungskabeln verlängern, die dem 1-U-KMM-Einschub-Kit beiliegen.
- 2 Schließen Sie alle Kabel an.

Wiederanbringen der Rack-Türen

Siehe Vorgehensweise zum Entfernen der Türen in der Dokumentation Ihres Racks.



VORSICHT: Wegen der Größe und des Gewichts der Rack-Türen sollten Sie keinesfalls versuchen, sie alleine abzunehmen oder einzubauen.

Ausbauen des 1-U-KMM-Einschubs aus dem Rack

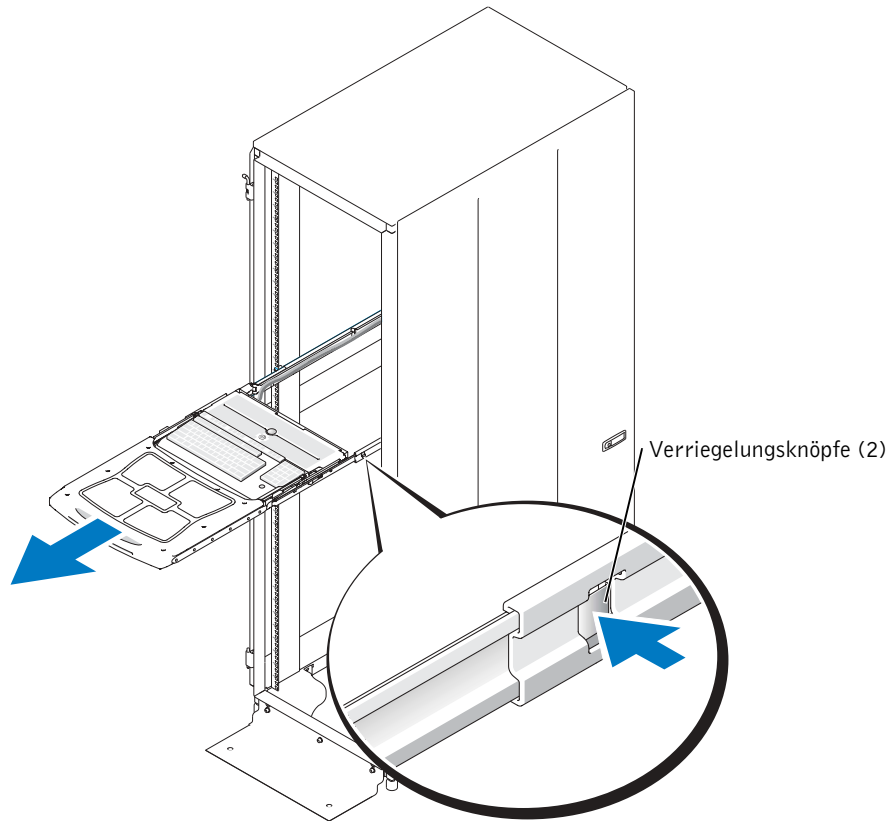
- 1 Ziehen Sie den Einschub heraus, bis er durch die Verriegelungsknöpfe gestoppt wird, die sich auf beiden Seiten des Einschubs befinden.
- 2 Bringen Sie die Sicherungsklammern und -schrauben wieder an, die beim Einbau des Einschubs entfernt wurden. Siehe Abbildung 3-6.

Die Klammern in der Mitte des Einschubs dienen zur Stabilisierung, wenn der Einschub aus dem Rack entfernt ist und transportiert wird.

⚠ VORSICHT: Wenn die Original-Sicherungsklammern und Sicherungsschrauben nicht mehr vorhanden sind, stützen Sie den Einschub in der Mitte von Hand, wenn Sie ihn ausbauen oder transportieren. Fassen Sie den Einschub beim Ausbauen und beim Transportieren niemals nur vorne und hinten an!

- 3 Um den Einschub ganz zu entfernen, drücken Sie beide Verriegelungsknöpfe gleichzeitig herunter, während Sie den Einschub aus dem Rack herausziehen. Das geht am besten, wenn Sie zu zweit arbeiten, einer an jeder Seite des Einschubs. Siehe Abbildung 3-11.

Abbildung 3-11. Ausbauen des 1-U-KMM-Einschubs



Verwenden des 1-U-KMM-Einschubs

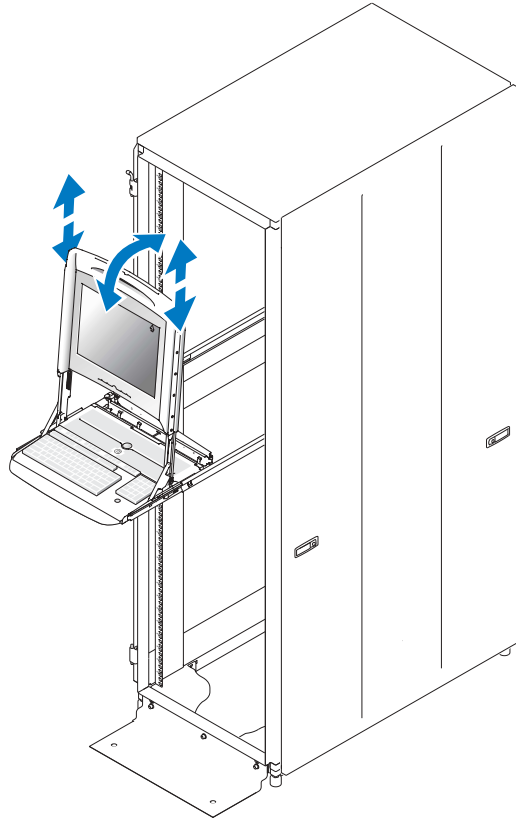
- 1 Ziehen Sie den Einschub heraus, bis er einrastet.
- 2 Fassen Sie den Monitor am Griff an, und klappen Sie ihn in die gewünschte Position.



ANMERKUNG: Falls sich der Monitor im Ruhezustand befindet, schaltet er sich ein, sobald er um 90° aufgeklappt wurde.

Aufgrund der Reibung bleibt der Monitor in der eingestellten Position.

- Bewegen Sie den Monitor vor oder zurück, bis er die gewünschte Position erreicht hat. Siehe Abbildung 3-12.
- Um die Höhe einzustellen, fassen Sie den Monitor auf beiden Seiten an. Ziehen oder drücken Sie auf beiden Seiten gleichmäßig, bis sich der Monitor in der gewünschten Position befindet. Siehe Abbildung 3-12.

Abbildung 3-12. Ausrichten des Monitors

- 3** Der Monitor wird mit dem Netzschalter ein- und ausgeschaltet.

ANMERKUNG: Weitere Informationen zur Verwendung des Monitors finden Sie im Monitorhandbuch, das dem Einschub-Kit beiliegt.

- 4** So beenden Sie eine Sitzung:

- a** (Optional) Sie können den Monitor mit dem Netzschalter ausschalten oder ihn in den Ruhezustand schalten.

ANMERKUNG: Sobald der Monitor auf einen Winkel unter 45° eingeklappt wird, schaltet er sich automatisch aus.




- b** Klappen Sie den Monitor ganz herunter.
c Schieben Sie den Einschub vollständig in das Rack.

Dell™ PowerEdge™ Rack Console 15FP

取り付けガイド



メモ、注意、および警告

-  **メモ**：メモは、コンピュータを使いやすくするための重要な情報を説明しています。
-  **注意**：注意は、ハードウェアの損傷やデータの損失の可能性を示し、その危険を回避するための方法を説明しています。
-  **警告**：警告は、物的損害、けが、または死亡の原因となる可能性があることを示します。

ここに記載されている内容は予告なく変更されることがあります。
© 2003 すべての著作権は Dell Computer Corporation にあります。

Dell Computer Corporation の書面による許可のない複製は、いかなる形態においても厳重に禁じられています。

本書で使用されている商標について：Dell、DELL のロゴ、RapidRails、および VersaRails は、Dell Computer Corporation の商標です。

本書では、必要に応じて上記記載以外の商標および会社名が使用されている場合がありますが、これらの商標や会社名は、一切 Dell Computer Corporation に所属するものではありません。

目次

警告：安全にお使いいただくために	4-1
システムのラックへの取り付け	4-1
Rack Console 15FP の取り付け	4-2
VersaRails のラック要件	4-2
安全に関する重要な注意	4-3
推奨する工具および備品	4-3
KMM トレイキットの内容	4-3
1-U KMM トレイの取り付け	4-5
ラック扉の取り外し	4-5
ラックへの印付け	4-5
RapidRails スライドアセンブリの取り付け	4-7
VersaRails スライドアセンブリの取り付け	4-9
1-U KMM トレイのラックへの取り付け	4-10
ケーブル処理アームのラックへの取り付け	4-12
キーボードのトレイへの取り付け（オプション）	4-13
電源ケーブルの交換	4-16
ケーブル接続の完了	4-16
ラック扉の取り付け	4-16
1-U KMM トレイのラックからの取り外し	4-16
1-U KMM トレイの使用	4-18



図 4-1.	1-U KMM トレイキットの内容	4-4
図 4-2.	1 ラックユニット（1 U）	4-6
図 4-3.	垂直レールの印付け	4-7

図 4-4.	RapidRails スライドアセンブリの 取り付け	4-8
図 4-5.	VersaRails スライドアセンブリの 取り付け	4-10
図 4-6.	KMM トレイのラックへの取り付け	4-11
図 4-7.	ケーブル処理アームの取り付け	4-12
図 4-8.	ケーブルカバーを開く	4-13
図 4-9.	キーボードのトレイへの取り付け	4-14
図 4-10.	キーボードケーブルの配線	4-15
図 4-11.	1-U KMM トレイの取り外し	4-17
図 4-12.	モニタの角度の調節	4-18


警告：安全にお使いいただくために

ご自身の身体の安全を守り、システムおよび作業環境を保護するために、以下の安全に関するガイドラインに従ってください。安全に関する詳細な情報については、『システム情報ガイド』を参照してください。


システムのラックへの取り付け

ラックの安定性や安全性に関して、次の点にご注意ください。


システムはラックの一部とみなします。したがって、「部品」には、さまざまな周辺機器やサポートハードウェアと同様に、システムも含まれます。

 **警告：ラック前面および横の安定板を取り付けずにシステムを取り付けると、場合によってはラックが転倒し、けがをする恐れがあります。したがって、必ず安定板を取り付けてからラックに部品を取り付けてください。**

ラックにシステム / 部品を取り付けた後は、一度に 2 台以上の部品をスライドアセンブリのラックから引き出さないでください。重みでラックが転倒し、けがをする恐れがあります。

 **メモ：**ご使用のシステムは、独立型のユニットとして、また、カスタマラックキットで構成される Dell™ ラックキャビネットに取り付ける部品として、その安全性が保証されています。システムおよびラックキットをデル以外のメーカーのラックキャビネットに取り付ける場合は、安全性が保証されていません。最終的に組み合わせたシステムおよびラックについては、ユーザーの責任において、適用される安全基準および地域の電気規約の要件に適合することを確認してください。デルでは、このような組み合わせに関連するいかなる責任および保証も負いません。

- システムラックキットは、トレーニングを受けたサービス技術者がラックに取り付けます。キットを別のラックに取り付ける場合は、そのラックがデルのラック仕様に適合していることを確認してください。


 **警告：大型ラックを 1 人で移動しないでください。ラックの高さと重さを考慮して、少なくとも 2 人以上でラックを移動することをお勧めします。**

- ラックで作業をする前に、安定板がラックに固定されて床面に伸び、ラックの全重量が床面にかかっていることを確認してください。ラックで作業をする前に、ラックが 1 つの場合は前面と横の安定板、複数の組み合わせられたラックの場合は前面の安定板を取り付けます。
- ラックには必ず下から上の順に、最も重いものから設置します。
- 部品をラックから引き出す前に、ラックが平行で安定していることを確認してください。

警告：安全にお使いいただくために (続き)

- 部品のレールリリースラッチを押して部品をラックから出し入れするときは、注意して行ってください。スライドレールに指をはさまれる場合があります。
- 部品をラックに設置したら、レールをロック位置に静かに伸ばし、部品をラックの中にスライドします。
- ラックに電力を送る AC 分岐回路に過重電流を流さないでください。ラックの総負荷が分岐回路定格の 80 % を超えないようにしてください。
- ラックの部品に空気が十分に送られていることを確認します。
- ラックの他のシステムでの作業中に、部品の上に乗ったり、立ったりしないでください。

Rack Console 15FP の取り付け

 **メモ：**単位である 1 U は垂直方向の 44 mm に相当します。

本書では、Dell™ PowerEdge™ Rack Console 15FP（これ以降 1-U KMM（キーボード/モニター/マウス）トレイと表記）の 4 柱型ラックキャビネットへの取り付けと使用について説明します。この引き出し型トレイアセンブリには、トラックボール搭載キーボードと、使用時にトレイから起こす形式のフラットパネルモニターが搭載されています。モニター、電源、キーボード/トラックボールのケーブルは、付属のケーブル処理アームに沿ってラック背面に配線します。このほかの接続オプションのために延長ケーブルも用意されています。モニター電源アダプタはケーブルエンクロージャに設置済みです。

トレイは RapidRails™ または VersaRails™ を使用して取り付けます。RapidRails は、工具を使わずにすべてのメーカーのラックキャビネットに取り付けることができます。VersaRails は、業界規格に適合しているほとんどのラックキャビネットに取り付けることができます。本書では、この 2 つのタイプのレールを使用する手順を説明します。


VersaRails のラック要件


- ⓘ **注意：**VersaRails ラックキットは、米国規格協会（ANSI）/ 米国電子工業会（EIA）規格 ANSI/EIA-310-D-92、国際電気標準会議（IEC）297、ドイツ工業規格（DIN）41494 の仕様を満たすラックについてトレーニングを受けたサービス技術者が取り付けられるように設計されています。ラックキットは、ラックに取り付けられているシステム 1 基につき 1 セットずつ必要です。


取り付けを開始する前に、手順の全体を注意してお読みください。

安全に関する重要な注意

コンポーネントをラックに取り付けるときは、次の安全に関する注意を遵守してください。

 **警告：** 作業者は、自分自身と関係者を保護するために、本書の手順に必ず従ってください。本システムは非常に重量があり大きいため、自分自身や関係者のけがを防ぐために準備と計画を適切に行うことが重要です。これは、特にシステムをラックの高い位置に取り付ける場合に重要になります。

 **警告：** ラックキャビネットはサイズが非常に大きく重量もあるため、キャストで簡単に移動できるようになっています。このキャストにはブレーキがないため、ラックキャビネットを移動するときは十分な注意が必要です。ラックキャビネットを別の場所に移動するときは、水平調節用の脚を収納してください。傾斜面や急な勾配のある場所、スロープなど、バランスが取りにくい場所にはキャビネットを設置しないでください。水平調節用の脚を伸ばしてキャビネットを支え、キャビネットが倒れないようにしてください。

 **警告：** ラック前面および横にある安定用の脚を使用せず、また床に固定することなくラックにコンポーネントを取り付けると、状況によりラックが転倒し、けがをする恐れがあります。そのため、ラックに部品を取り付ける前に、必ず安定用の脚を取り付けて固定してください。

推奨する工具および備品


4 柱型ラックキャビネットにシステムを取り付けるには、次の工具と備品が必要です。

- #2 プラスドライバ (VersaRails を取り付ける場合のみ)
- マスキングテープまたはフェルトペン (取り付け穴に印を付けるときに使用)

KMM トレイキットの内容

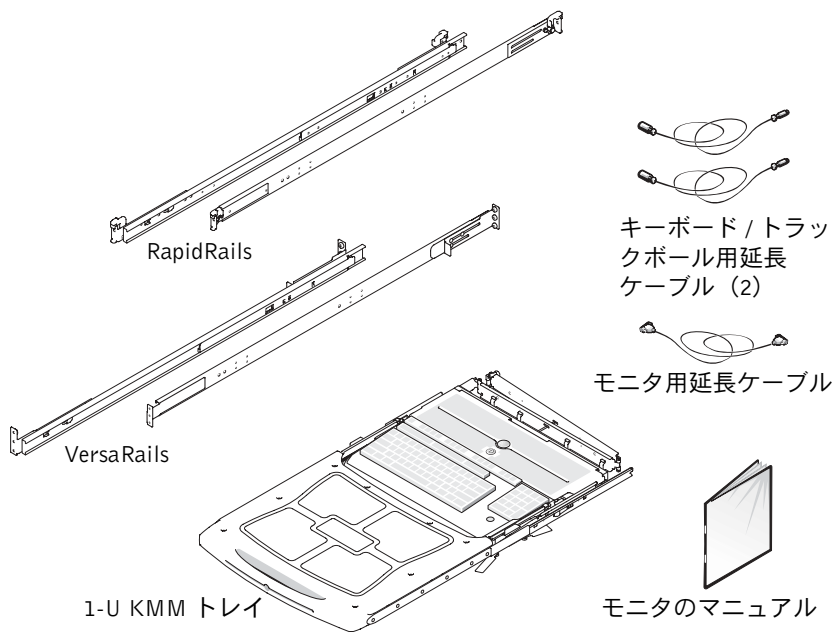
KMM トレイキットの内容は次のとおりです。図 4-1 を参照してください。

- フラットパネルモニター、モニター電源アダプタ、ケーブル処理アームが取り付け済みの 1-U KMM トレイ 1 式。国や地域によっては、トラックボール搭載キーボードも取り付け済みです。

 **メモ：** キーボードが取り付けられていない状態でトレイが出荷される国や地域の場合、取り付けを完了するためには Dell ラックマウントキーボードを別途注文する必要があります。

- RapidRails または VersaRails のスライドアセンブリ 1 組
- モニタ用延長ケーブル 1 本
- キーボード/トラックボール用延長ケーブル 2 本
- モニタのマニュアル
- 10-32 x 0.5 インチフランジヘッドプラスネジとセンタリングワッシャー (RapidRails アセンブリには 4 組、VersaRails アセンブリには 8 組) (図 4-1 には示されていません)
- 各国や地域専用の電源ケーブル 1 本または複数本 (図 4-1 には示されていません)

図 4-1. 1-U KMM トレイキットの内容




1-U KMM トレイの取り付け


1-U KMM トレイを取り付けるには、次の作業を番号順に行います。

- 1 ラック扉の取り外し
- 2 ラックへの印付け
- 3 スライドアセンブリ（RapidRails または VersaRails）のラックへの取り付け
- 4 KMM トレーのラックへの取り付け
- 5 ケーブル処理アームのラックへの取り付け
- 6 キーボードのトレイへの取り付け（キーボードがトレイと別に出荷される場合）
- 7 電源ケーブルの交換（該当する国や地域の電源要件を満たすために必要な場合）
- 8 ケーブル接続の完了
- 9 ラック扉の取り付け

ラック扉の取り外し


ラックキャビネットに同梱のマニュアルに記載されている扉の取り外し手順を参照してください。

 **警告：**ラックキャビネットの扉の大きさと重さを考慮して、取り付けまたは取り外しは1人では行わないでください。

 **警告：**取り外した扉は、不意に倒れてけがをしないような場所に保管してください。

ラックへの印付け

KMM トレイを取り付けるには、垂直方向に 1 U（44 mm）の空間を確保する必要があります。EIA-310 規格に準拠するラックキャビネットには、ラックユニットごとに 3 つの穴が開いたパターンが繰り返されます。これは前面および背面の垂直レールに、中心間距離が 15.9 mm、15.9 mm、12.7 mm の間隔をあけた穴を（1 U 空間の一番上の穴から測って）開けたものです。図 4-2 を参照してください。ラックキャビネットの穴には丸型または角型があります。

 **メモ：**垂直レールには、1 U 間隔の水平の線と数字で印が付いていることがあります。ラックの垂直レールの印の番号を控える方法もあるので、ラックに印を付いたりテープを貼る作業は必須ではありません。この方法で作業を行う場合は、「RapidRails スライドアセンブリの取り付け」に進んでください。

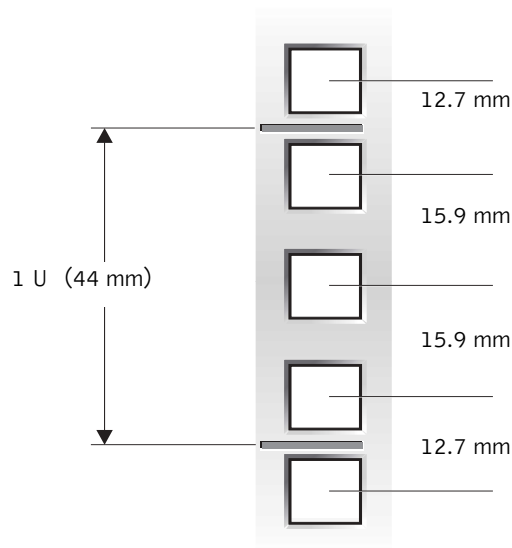
メモ：1-U KMM トレイを Dell PowerEdge 2410 ラックの最も高い位置の U 空間に取り付けることは推奨しません。

ラックに印を付けるには、次の手順を行います。

- 1 1-U KMM トレイの底部の位置を決め、ラックの前面垂直レールにフェルトペンやマスキングテープで印を付けます。

各 1 U スペースの底部の位置は、穴と穴の間の、間隔の狭い金属部分の真ん中になります（ラックキャビネットによっては水平なラインが刻まれている場合があります）。図 4-2 を参照してください。

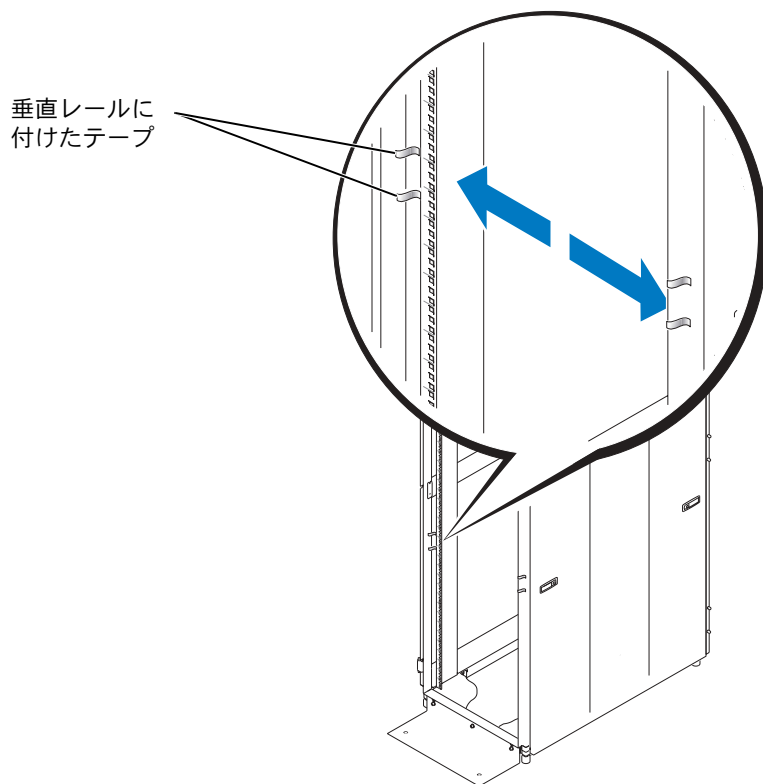
図 4-2.1 ラックユニット (1 U)



- 2 前面レールの最初に印を付けた場所から 44 mm 上に再び印を付けます（EIA-310 規格に適合しているラックの場合は、そこから 3 つ目の穴のすぐ上に印を付けます）。

この印やテープは、縦レールでトレイ上部の端が配置される位置を示します。図 4-3 を参照してください。

図 4-3. 垂直レールの印付け



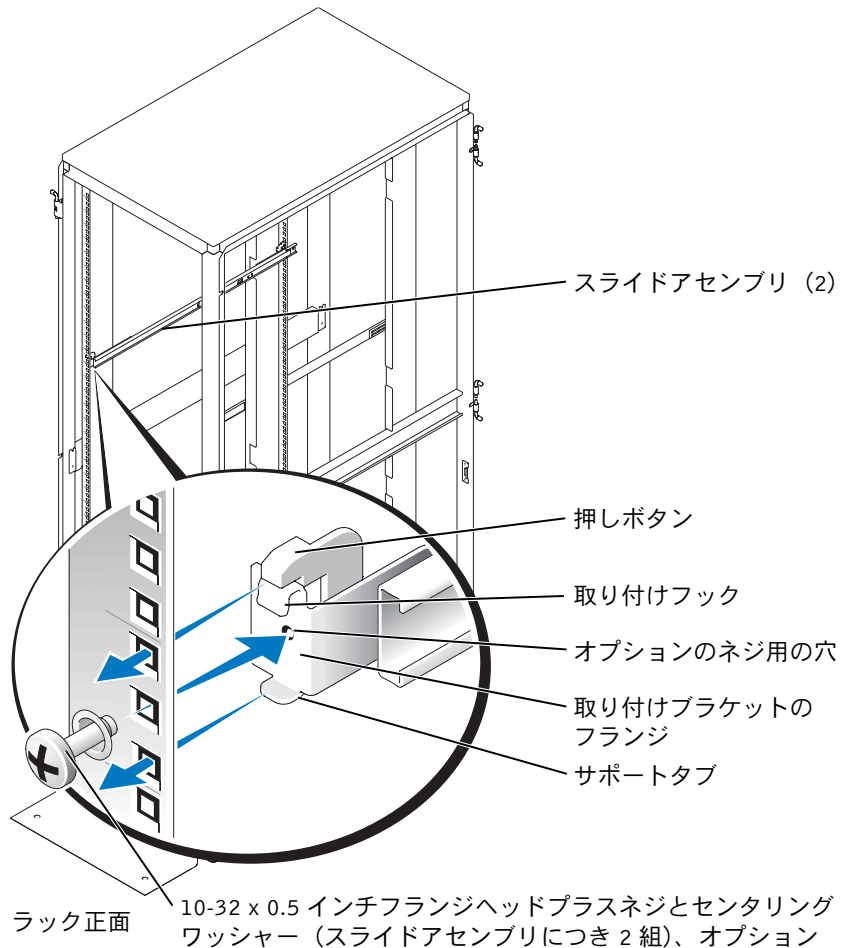
RapidRails スライドアセンブリの取り付け

- 1 ラックキャビネットの正面で、2 個の RapidRails スライドアセンブリのいずれかを持ち、ラックに付けた印やテープの間のスペースに収まるように取り付けブラケットのフランジをセットします。図 4-4 を参照してください。

スライドアセンブリの前部取り付けブラケットフランジの取り付けフックが、垂直レールに付けた印の間の一番上の穴に入っていることを確認します。

- 2 スライドアセンブリを前面側に押し付けて取り付けフックを垂直レールの角形の穴にそれぞれ挿入し、取り付けブラケットのフランジを下に押し付けて取り付けフックを正方形の穴にはめ込みます。完全にはまると、プッシュボタンがカチッと飛び出します。図 4-4 を参照してください。

図 4-4. RapidRails スライドアセンブリの取り付け



- 3 キャビネットの背面で、取り付けブラケットのフランジを後ろに引いて、取り付けフックを対応する角型の穴に差し込み、次に取り付けブラケットのフランジを下に押しつけて取り付けフックを角型の穴に固定します。完全にはまると、プッシュボタンがカチッと飛び出します。
- 4 ラックの反対側にあるもう 1 つのスライドアセンブリについて、手順 1 から手順 3 までを繰り返します。

メモ： 左右の垂直レールで、取り付け用レールが同じ位置に取り付けられていることを確認します。

- 5 (オプション) スライドアセンブリを確実に固定するため、必要に応じて、1-U KMM に同梱されている 4 組の 10-32 x 0.5 インチフランジヘッドプラスネジとセンタリングワッシャーを取り付けに使用できます。ネジにセンタリングワッシャーを通し、レールの中央の正方形の穴から取り付けブラケットフランジのネジ穴へとネジを通します。図 4-4 を参照してください。

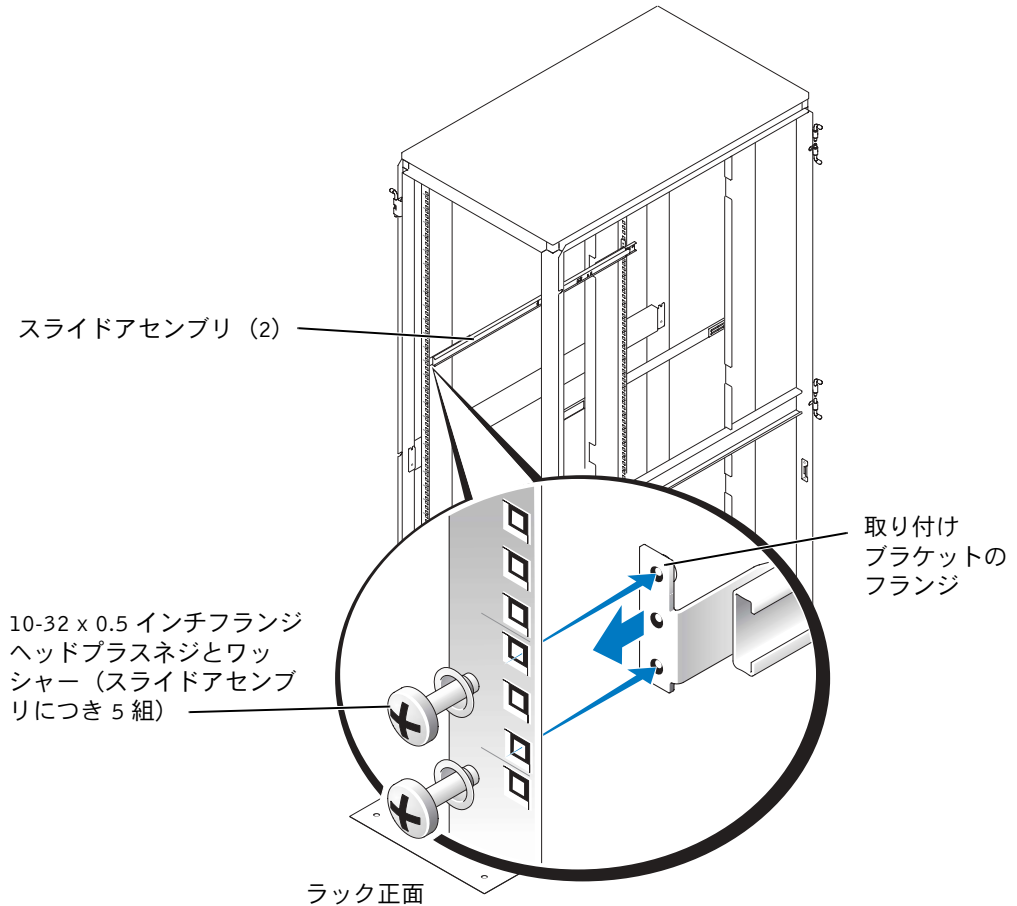
VersaRails スライドアセンブリの取り付け

- 1 ラックキャビネットの前面で、VersaRails スライドアセンブリの 1 つを持ち、ラックの印やテープの間のスペース (またはメモした目盛りの位置) に取り付けブラケットのフランジが収まるようにセットします。図 4-5 を参照してください。

取り付けブラケットの前部にある 3 つの穴が、前面垂直レールに付けた印の間にある 3 つの穴に合っていることを確認します。

- 2 スライドアセンブリを前面垂直レールに固定するため、2 本の 10-32 x 0.5 インチフランジヘッドプラスネジをラックの外側から取り付けます。ネジにセンタリングワッシャーを通し、垂直レールを通して取り付けフランジの一番上と一番下の穴にネジを挿入します。図 4-5 を参照してください。
- 3 キャビネットの背面から、取り付けブラケットのフランジを後ろに引いて、取り付け穴を背面垂直レールのそれぞれ対応する穴に合わせます。
- 4 ワッシャーを通した 2 本の 10-32 x 0.5 インチフランジヘッドプラスネジを後部取り付け穴に取り付け、スライドアセンブリを背面垂直レールに固定します。
- 5 ラックの反対側にあるもう 1 つのスライドアセンブリについて、手順 1 から手順 4 を繰り返します。
- 6 スライドアセンブリが、ラック両側の垂直レールの同じ位置に取り付けられていることを確認します。

図 4-5. VersaRails スライドアセンブリの取り付け



1-U KMM トレイのラックへの取り付け

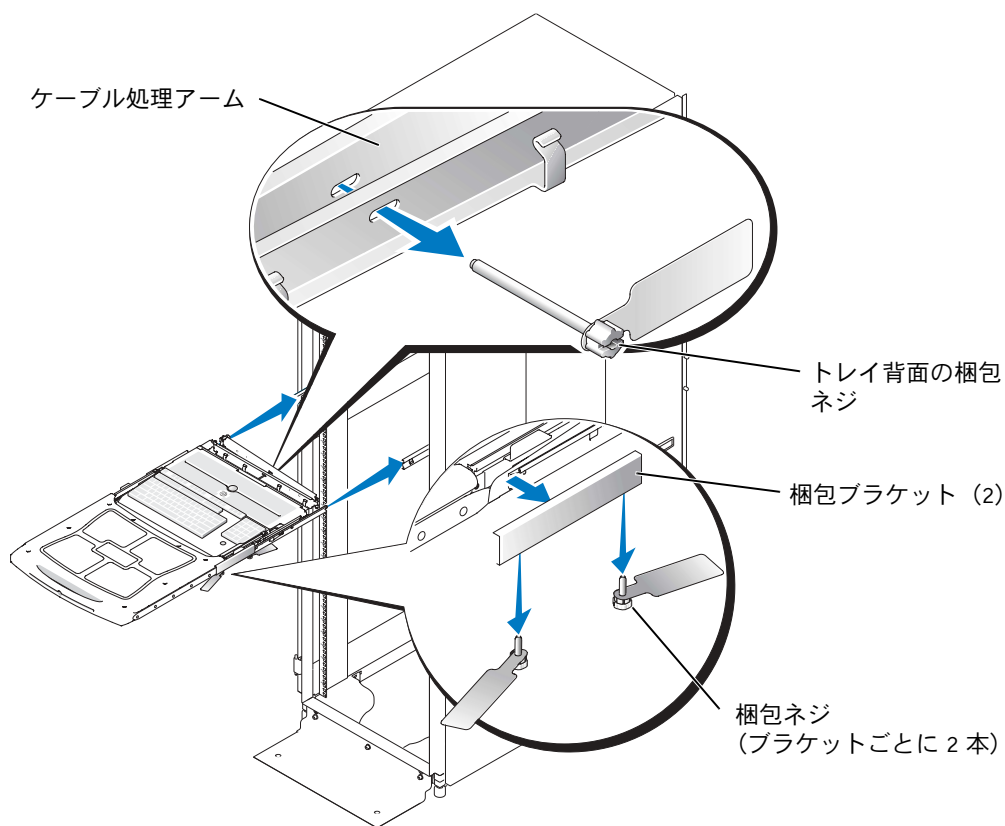
- 1 左右のスライドレールをスライドアセンブリから引き出すと、完全に伸びた位置でロックされます。
- 2 1-U KMM トレイレールの位置をスライドレールの前面と合わせ、トレイレールをスライドレールに挿入し、トレイ両側にある金属製の梱包ブラケットがラックの垂直レールに当たるまでトレイをラックに押し込みます (ロック機構を超える時に押す力が余計に必要な場合があります)。図 4-6 を参照してください。

3 トレイの下側から、梱包ブラケットを固定している2組のオレンジ色の梱包ネジを取り外します。図 4-6 を参照してください。ネジとブラケットを安全な場所に保管してください。

➡ **注意：** 梱包ネジと梱包ブラケットは保管しておいてください。トレイをラックから取り外すときに必要になります。「1-U KMM トレイのラックからの取り外し」を参照してください。

4 トレイをラックの奥まで押し込みます。

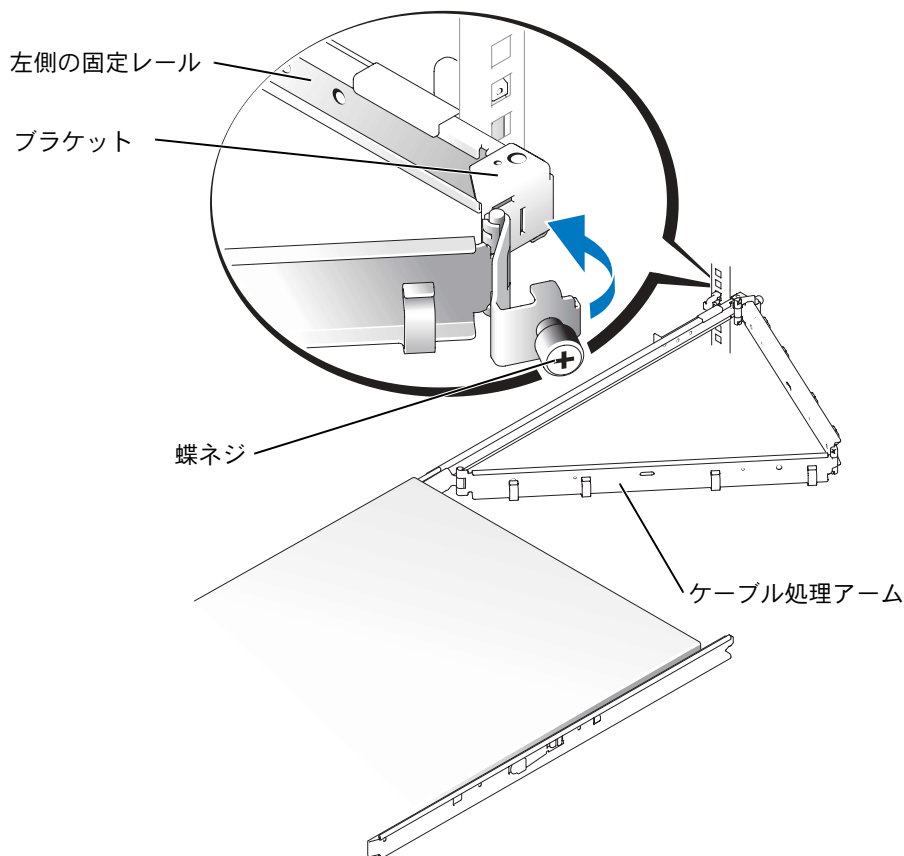
図 4-6. KMM トレイのラックへの取り付け



ケーブル処理アームのラックへの取り付け

- 1 トレイをラック前面から大きく引き出して、背面で作業するために十分な空間を確保します。
- 2 ラックの背面から、ケーブル処理アームをトレイの背面に固定しているオレンジ色の梱包ネジを取り外します。ネジの位置については、図 4-6 を参照してください。
- 3 ケーブル処理アームの固定されていない側の端を、左側の固定レールの端にあるブラケットのところまで引き出し、アームの端についている蝶ネジを使用してアームをブラケットに取り付けます。図 4-7 を参照してください。

図 4-7. ケーブル処理アームの取り付け

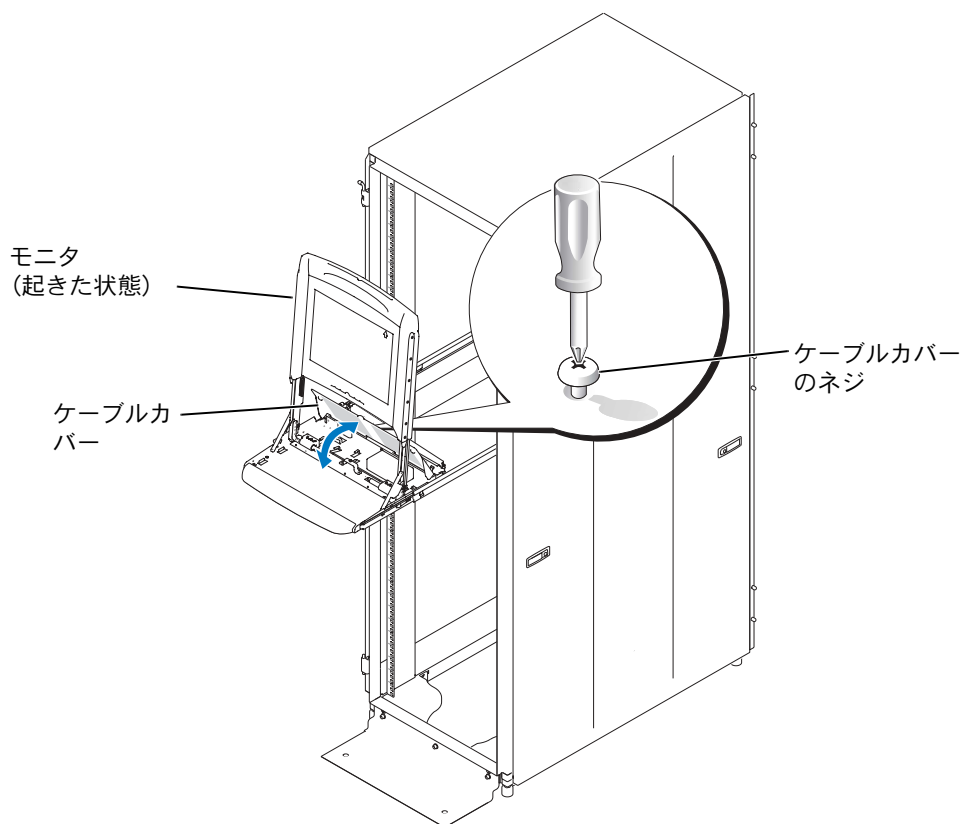


キーボードのトレイへの取り付け（オプション）

メモ：キーボードがトレイに取り付けられていない場合は、次の手順でキーボードを取り付けます。取り付けられている場合は、「ケーブル接続の完了」へ進みます。

- 1 トレイをロックされるまで引き出します。
- 2 モニタのハンドルを持って垂直になるまで引き上げ、完全に起こした状態にします。図 4-8 を参照してください。
- 3 トレイのケーブルカバーの固定プラスネジを緩めて、カバーを向こう側に起こします。図 4-8 を参照してください。

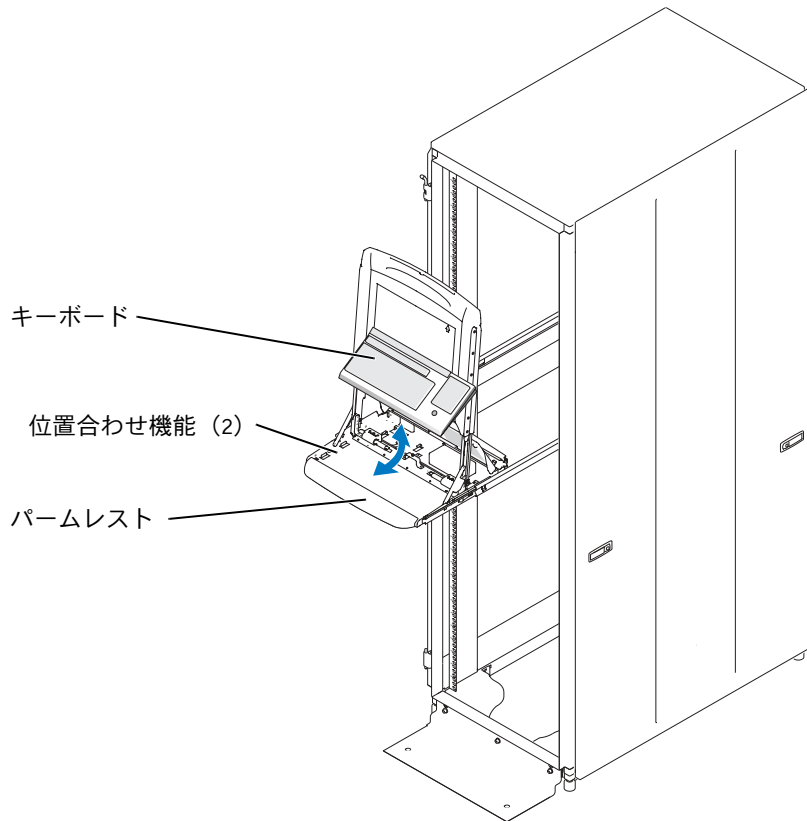
図 4-8. ケーブルカバーを開く



メモ：次の手順の実行中は、キーボード/トラックボールのケーブルがキーボードにかからないように注意します。

- 4 キーボードの前面を下向きにして、トレイ側面に2つある位置合わせ機能の間をパームレストの下まで動かし、ロック位置に固定されるまでキーボードの背面を下げます。図 4-9 を参照してください。

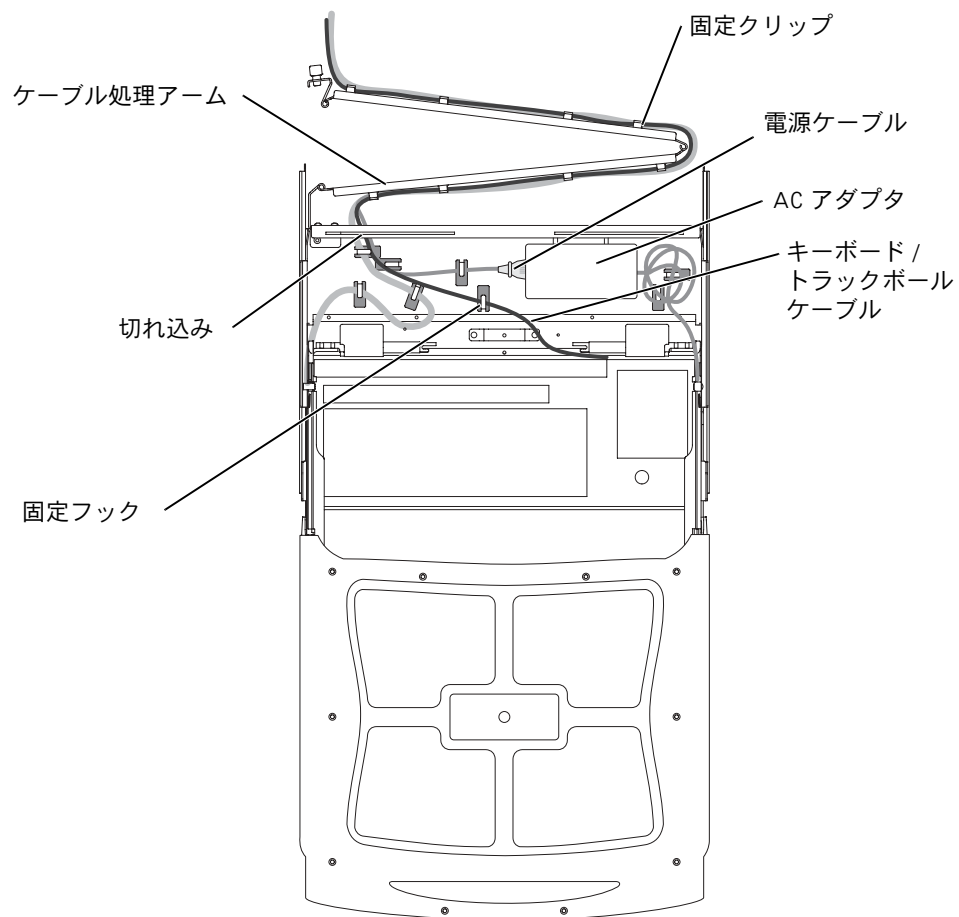
図 4-9. キーボードのトレイへの取り付け




- 5 キーボード / トラックボールケーブルをケーブルエンクロージャ底部の2つの固定フックを通して左へ回し、トレイ背面の切り込みから外へ出します。図 4-10 を参照してください。
- 6 キーボード / トラックボールケーブルを他のケーブルと一緒にアームに沿って配線し、アームに取り付けられている固定クリップに押し込みます。
- 7 ケーブルの束がケーブル処理アームの内部に収まるように平らにするには、アームの全長に渡ってケーブルの束をアームに押しつけます。

- 8 電源ケーブルを交換している場合を除き、ケーブルカバーを取り付けて固定プラスチックネジを締めます。

図 4-10. キーボードケーブルの配線



電源ケーブルの交換

 **メモ：** 該当する国や地域に適した電源ケーブルが取り付けられていない場合は、次の手順を実行して、既存の電源ケーブルを 1-U KMM トレイキットにある適切なケーブルと交換します。交換の必要がない場合は「ケーブル接続の完了」へ進みます。


- 1 電源ケーブルを AC アダプタから取り外して、ケーブルエンクロージャ底部の固定フックから取り出します。図 4-10 を参照してください。
- 2 電源ケーブルをケーブル処理アームのケーブルの束から外します。
- 3 新しい電源ケーブルを AC アダプタに接続し、ケーブルエンクロージャ底部の固定フックを使用して配線します。図 4-10 を参照してください。
- 4 ケーブル処理アームの固定クリップを使用して新しい電源ケーブルを配線し、ケーブルの束に加えます。
- 5 ケーブルカバーを取り付けて固定プラスネジを締めます。

ケーブル接続の完了

- 1 必要に応じて、1-U KMM トレイキット付属のキーボード用、トラックボール用、モニター用延長ケーブルを使用し、ケーブル処理アームから延びる該当ケーブルに接続します。
- 2 それぞれのケーブル接続を完了します。

ラック扉の取り付け

ラックキャビネットに同梱のマニュアルに記載されている扉の取り外し手順を参照してください。

 **警告：** ラックキャビネットの扉の大きさと重さを考慮して、取り付けまたは取り外しは 1 人では行わないでください。

1-U KMM トレイのラックからの取り外し

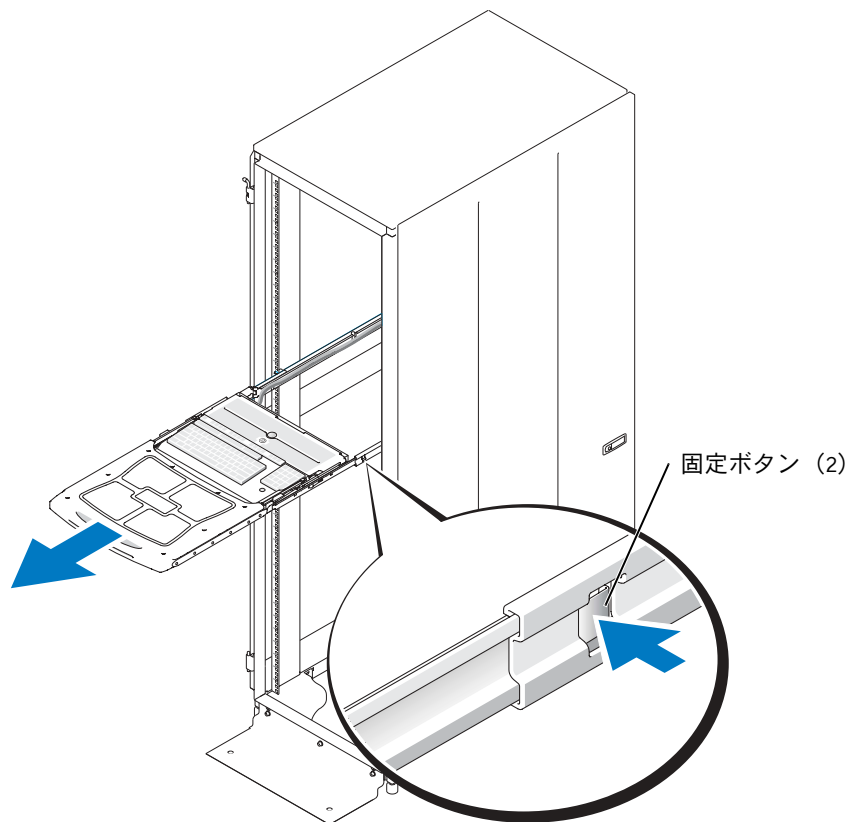
- 1 トレイ両側の固定ボタンのため止まるまで、トレイを引き出します。
- 2 取り付け手順でトレイから取り外した梱包ネジと梱包ブラケットを再び取り付けます。図 4-6 を参照してください。

トレイをラックから取り外して運ぶ間、このブラケットがトレイの中央を支えます。

⚠ 警告：元の梱包ブラケットと梱包ネジがない場合は、トレイを取り外して運ぶ間、トレイの中央を手で支えて固定してください。トレイの前面と背面を持っただけで、トレイを取り外して運ばないようにしてください。

- 3 トレイを完全に取り外すには、トレイをラックから引き出すときに両方の固定ボタンを同時に押し下げます。この作業は1人ずつトレイの片側に立って2人で実施すると簡単です。図 4-11 を参照してください。

図 4-11. 1-U KMM トレイの取り外し



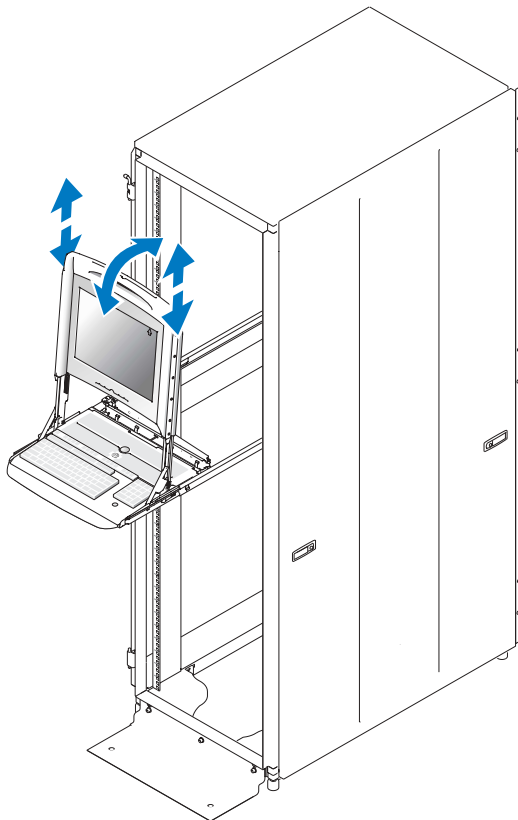
1-U KMM トレイの使用



- 1 トレイをロックされるまで引き出します。
- 2 モニタのハンドルを持ち、希望の位置まで起こします。
 - **メモ**：起こしたときにモニタがスリープモードの場合は、約 90 度の位置になると電源が入ります。

モニタの位置は摩擦力で保持されます。

- 角度を調節するには、モニタを前後に倒します。図 4-12 を参照してください。
- 高さを調節するには、モニタの両側を持ち、左右均等の力でモニタを上下させます。図 4-12 を参照してください。

図 4-12. モニタの角度の調節



- 3 モニタ電源のオン/オフにはモニタの電源ボタンを使用します。
 -  **メモ**：モニタの使用の詳細については、トレイキットに同梱されているモニタのマニュアルを参照してください。
- 4 セッションを終了するには、次の手順を行います。
 - a (オプション) モニタの電源ボタンを使用してモニタの電源を切るか、モニタをスリープモードにします。
 -  **メモ**：モニタの角度を 45 度より小さくすると、モニタの電源は自動的に切れます。
 - b モニタを水平位置まで倒します。
 - c トレイをラックの中に完全に押し込みます。

Consola de estante 15FP Dell™ PowerEdge™

Guía de instalación



Notas, avisos y precauciones



NOTA: Una NOTA indica información importante que le ayudará a usar mejor su ordenador.



AVISO: Un AVISO indica un posible daño en el hardware o la pérdida de datos e informa de cómo evitar el problema.



PRECAUCIÓN: Un mensaje de **PRECAUCIÓN** indica la posibilidad de que el equipo resulte averiado, de sufrir lesiones personales o incluso la muerte.

La información de este documento está sujeta a modificaciones sin previo aviso.

© 2003 Dell Computer Corporation. Reservados todos los derechos.

Queda prohibida su reproducción en cualquier medio sin la autorización por escrito de Dell Computer Corporation.

Marcas comerciales utilizadas en este documento: *Dell*, el logotipo de *DELL*, *RapidRails* y *VersaRails* son marcas comerciales de Dell Computer Corporation.

Las demás marcas registradas y nombres comerciales que puedan utilizarse en este documento se refieren a las empresas que figuran en las marcas y los nombres de sus productos. Dell Computer Corporation renuncia a cualquier interés de propiedad en las marcas y nombres comerciales que no sean los suyos propios.

Contenido

PRECAUCIÓN: Instrucciones de seguridad	5-1
Montaje de sistemas en estante	5-1
Instalación de la consola de estante 15FP	5-2
Requisitos del estante para VersaRails	5-3
Información de seguridad importante	5-3
Herramientas y suministros recomendados	5-4
Contenido del kit de la bandeja de KMM	5-4
Instalación de la bandeja de 1-U de KMM	5-5
Desmontaje de las puertas del estante	5-6
Marcado del estante	5-6
Instalación de los conjuntos deslizantes RapidRails	5-8
Instalación de los conjuntos deslizantes VersaRails	5-10
Instalación de la bandeja de 1-U de KMM en el estante	5-11
Instalación de la extensión para el tendido de cables en el estante	5-13
Instalación del teclado en la bandeja (opcional)	5-14
Sustitución del cable de alimentación	5-17
Finalización de las conexiones de los cables	5-17
Colocación de las puertas del estante	5-17
Extracción de la bandeja de 1-U de KMM del estante	5-18
Uso de la bandeja de 1-U de KMM	5-19

Figuras

Figura 5-1.	Contenido del kit de la bandeja de 1-U de KMM	5-5
Figura 5-2.	Una unidad de estante	5-7

Figura 5-3.	Marcado de los rieles verticales	5-8
Figura 5-4.	Instalación de los conjuntos deslizantes RapidRails	5-9
Figura 5-5.	Instalación de los conjuntos deslizantes VersaRails	5-11
Figura 5-6.	Instalación de la bandeja de KMM en el estante	5-12
Figura 5-7.	Conexión de la extensión para el tendido de cables	5-13
Figura 5-8.	Apertura de la cubierta de cables	5-14
Figura 5-9.	Instalación del teclado en la bandeja	5-15
Figura 5-10.	Canalización del cable del teclado	5-16
Figura 5-11.	Extracción de la bandeja de 1-U de KMM	5-19
Figura 5-12.	Ajuste del ángulo del monitor	5-20


PRECAUCIÓN: Instrucciones de seguridad

Siga estas directrices de seguridad para garantizar su propia seguridad y la del servidor, el sistema y el entorno de trabajo frente a posibles daños. Para obtener información completa acerca de la seguridad, consulte la *Guía de información del sistema*.

Montaje de sistemas en estante

Tenga en cuenta estas precauciones para garantizar la estabilidad y seguridad del estante.

Los sistemas se consideran componentes del estante. Por lo tanto, "componente" se refiere a cualquier sistema, así como a los distintos periféricos o al hardware de soporte.


 **PRECAUCIÓN: La instalación de los sistemas en un estante sin los estabilizadores delanteros o laterales montados puede hacer que vuelque el estante, hecho que puede llegar a producir lesiones personales en ciertas circunstancias. Por tanto, instale siempre los estabilizadores antes de instalar los componentes en el estante.**

Después de instalar los sistemas o componentes en un estante, nunca extraiga más de un componente sobre sus conjuntos deslizantes de forma simultánea. El peso de más de un componente puede hacer que vuelque el estante y producir lesiones graves.



NOTA: El sistema está homologado en cuanto a seguridad como unidad autónoma y como componente para su uso en un armario de estantes Dell™ utilizando el kit de estante del cliente. La instalación del sistema y el kit de estante en otros armarios de estantes no ha sido aprobada por ninguna agencia de seguridad. Es responsabilidad del cliente asegurarse de que la combinación final de sistema y los estantes cumplan todos los estándares de seguridad y los requisitos locales de la normativa sobre electricidad. Dell declina toda responsabilidad y garantías relacionadas con tales combinaciones.


- Los kits de estantes están concebidos para su instalación en estantes por parte de técnicos de servicio con experiencia. Si instala el kit en cualquier otro tipo de estante, éste debe cumplir las especificaciones de un estante Dell.

 **PRECAUCIÓN: No mueva estantes de gran tamaño sin ayuda. Debido a la altura y al peso del estante, se recomienda un mínimo de dos personas para realizar dicha tarea.**

PRECAUCIÓN: Instrucciones de seguridad (continuación)

- Antes de trabajar en el estante, asegúrese de que los estabilizadores están fijados al estante, que reposan en el suelo y que todo el peso del estante descansa sobre el suelo. Asimismo, instale los estabilizadores delanteros y laterales en un único estante, o los estabilizadores delanteros para varios estantes unidos.
- Cargue siempre el estante desde la parte inferior hacia arriba, colocando en primer lugar el elemento más pesado.
- El estante debe estar nivelado y estabilizado antes de extraer un componente.
- Tenga cuidado al presionar los pestillos de liberación de los rieles de componentes y al extraer o volver a introducir un componente en el estante, puesto que puede pillarse los dedos con los rieles deslizantes.
- Una vez insertado un componente en el estante, extienda con cuidado el riel hasta su posición de bloqueo y deslice el componente hacia el interior del estante.
- No sobrecargue el ramal del circuito de alimentación de CA que suministra energía al estante. La carga total del estante no debe ser superior al 80 por ciento del valor nominal del ramal del circuito.
- Los componentes del estante deben disponer de suficiente flujo de aire.
- No se suba ni se apoye en ningún componente al reparar otros componentes del estante.

Instalación de la consola de estante 15FP

 **NOTA:** Una unidad o U equivale a 1,75 pulgadas verticales.

En esta guía se proporcionan instrucciones para instalar y utilizar la consola de estante 15FP Dell™ PowerEdge™ (en adelante denominada bandeja de 1-U KMM [teclado/monitor/ratón]) en un armario de estantes de cuatro postes. La bandeja extraíble consta de un teclado con trackball y un monitor de pantalla plana que gira desde la bandeja para su uso. Una extensión para el tendido de cables encamina los cables del monitor, de alimentación y del teclado/trackball hasta la parte posterior del estante; se incluyen los cables de extensión para proporcionar opciones de conexión extra. La fuente de alimentación del monitor ya viene instalada en el alojamiento de cables.

Puede instalar la bandeja con RapidRails™ o VersaRails™. RapidRails se puede instalar en todos los armarios de estantes del fabricante del sistema sin herramientas; VersaRails se puede instalar en la mayoría de los armarios de estantes estándar del sector. Esta guía incluye instrucciones para el uso de los dos tipos de rieles.




Requisitos del estante para VersaRails

- ➔ **AVISO:** El kit de estante VersaRails lo deben instalar únicamente técnicos de servicio formados en un estante que cumpla con las especificaciones siguientes: American National Standards Institute (ANSI)/Electronic Industries Association (EIA) ANSI/EIA-310-D-92, International Electrotechnical Commission (IEC) 297 y Deutsche Industrie Norm (DIN) 41494. Para cada sistema que se vaya a instalar en el estante se precisa un kit de estante.

Antes de llevar a cabo la instalación, lea detenidamente el procedimiento completo.

Información de seguridad importante

Tenga en cuenta estas precauciones de seguridad al instalar los componentes en el estante:

-  **PRECAUCIÓN:** Debe seguir estrictamente los procedimientos que se explican en esta guía para protegerse a sí mismo y a otras personas que se puedan ver involucradas. El sistema puede tener una envergadura y un peso considerables por lo que son importantes una preparación y planificación adecuadas para evitar lesiones personales a uno mismo y a otros. Esto es más importante aún cuando se instalan sistemas en la parte alta del estante.
-  **PRECAUCIÓN:** Los armarios de estantes pueden ser muy pesados y moverse fácilmente con las ruedas. No disponen de frenos. Preste extremo cuidado al mover el armario de estantes. Recoja las patas niveladoras al volver a colocar el armario de estantes. Evite inclinaciones largas o pronunciadas para evitar pérdidas de control del armario. Extienda las patas niveladoras de apoyo para evitar que el armario se desplace.
-  **PRECAUCIÓN:** La instalación de un componente en un estante sin los pies estabilizadores delantero y lateral instalados y fijados al suelo podría hacer que volcase el estante, hecho que puede producir lesiones personales en determinadas circunstancias. Por tanto, instale y fije siempre los estabilizadores antes de instalar los componentes en el estante.

Herramientas y suministros recomendados

Para instalar el sistema en un estante de cuatro postes, necesita las herramientas y material siguientes:

- Destornillador Phillips del n° 2 (sólo para la instalación de VersaRails)
- Cinta adhesiva o rotulador de punta de fieltro, para marcar los orificios de montaje necesarios

Contenido del kit de la bandeja de KMM

El kit de la bandeja de KMM incluye los siguientes elementos. Consulte la Figura 5-1.

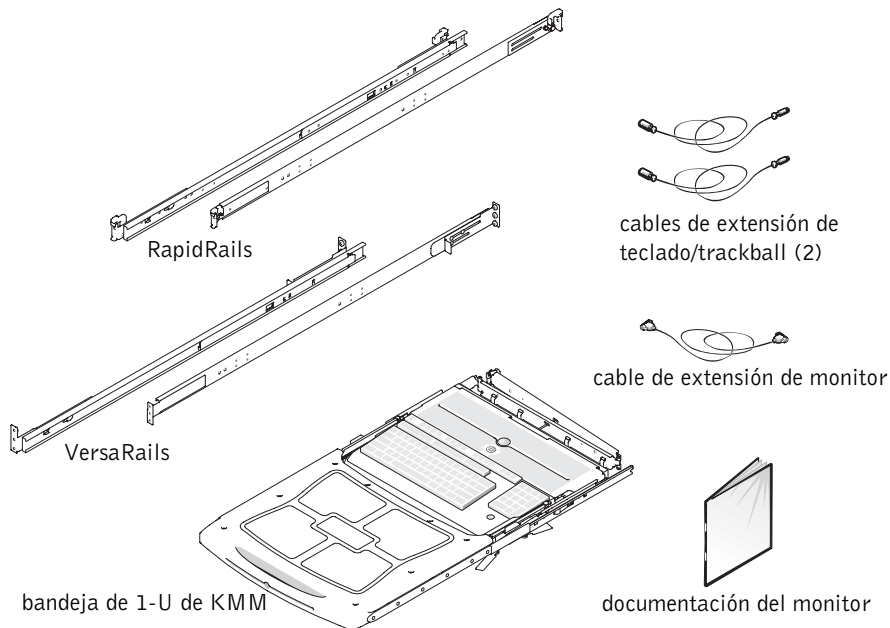
- Una bandeja de 1-U de KMM con monitor de pantalla plana, fuente de alimentación del monitor y extensión para el tendido de cables; para determinadas regiones, también se instala un teclado con trackball



NOTA: Si el teclado no se suministra ya preinstalado en la bandeja para la región, debe realizar el pedido de un teclado de montaje en estante Dell separado para completar la instalación.

- Un par de conjuntos deslizantes RapidRails o VersaRails
- Un cable de extensión de monitor
- Dos cables de extensión de teclado/trackball
- Documentación del monitor
- Tornillos Phillips de cabeza de brida de 10-32 x 0,5 pulgadas y arandelas centradas (cuatro conjuntos con un ensamblaje RapidRails; ocho conjuntos con un ensamblaje VersaRails) (no mostrados en la Figura 5-1)
- Uno o más cables de alimentación específicos de la región (no mostrados en la Figura 5-1)

Figura 5-1. Contenido del kit de la bandeja de 1-U de KMM



Instalación de la bandeja de 1-U de KMM


Para instalar la bandeja de 1-U de KMM, debe realizar las dos tareas siguientes por orden:

- 1 Desmontaje de las puertas del estante
- 2 Marcado del estante
- 3 Instalación de los conjuntos deslizantes (RapidRails o VersaRails) en el estante
- 4 Instalación de la bandeja de KMM en el estante
- 5 Instalación de la extensión para el tendido de cables en el estante
- 6 Instalación del teclado en la bandeja (si el teclado se suministra independientemente de la bandeja)
- 7 Sustitución del cable de alimentación (si es necesario cumplir los requisitos de alimentación de la región)
- 8 Finalización de las conexiones de los cables
- 9 Colocación de las puertas del estante

Desmontaje de las puertas del estante


Para retirar las puertas, consulte los procedimientos en la documentación suministrada con el armario de estantes.


 **PRECAUCIÓN:** Debido al tamaño y al peso de las puertas del armario de estantes, nunca debe intentar montarlas ni desmontarlas sin ayuda.

 **PRECAUCIÓN:** Guarde las dos puertas donde no puedan lesionar a nadie si se caen accidentalmente.

Marcado del estante

Debe dejar 1 U (44 mm o 1,75 pulgadas) de espacio vertical para instalar la bandeja de KMM. Los armarios de estante que cumplan con los estándares EIA-310 tienen un patrón altemo de tres orificios por unidad de estante con un espacio entre orificio de centro a centro (comenzando en el orificio superior de un espacio 1-U) de 15,9 mm, 15,9 mm y 12,7 mm (0,625 pulg., 0,625 pulg. y 0,5 pulg.) para los rieles verticales frontal y posterior. Consulte la Figura 5-2. Los armarios de estantes pueden tener orificios redondos o cuadrados.

 **NOTA:** Los rieles verticales a veces están grabados con líneas horizontales y números a incrementos de 1-U. Si lo desea, puede crear una nota del número haciendo una marca en el riel vertical del estante. No es necesario marcar o colocar cinta en el estante. Si elige este método, pase directamente al procedimiento "Instalación de los conjuntos deslizantes RapidRails".

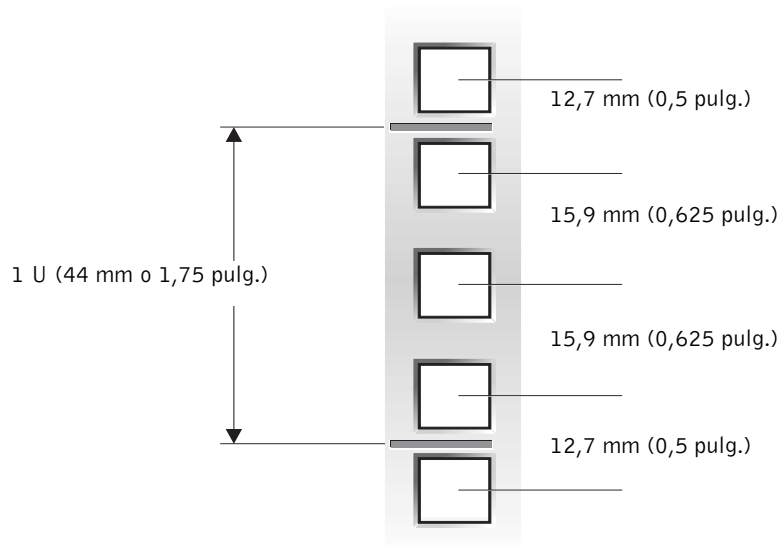
 **NOTA:** La instalación de la bandeja de 1-U de KMM en el espacio de U superior del estante Dell PowerEdge 2410 no está recomendada.

Para marcar el estante, realice los pasos siguientes:

- 1 Utilice un rotulador de punta de fieltro o cinta de enmascaramiento para marcar los rieles verticales frontales del estante en los que desee colocar la parte inferior de la bandeja de 1-U de KMM.

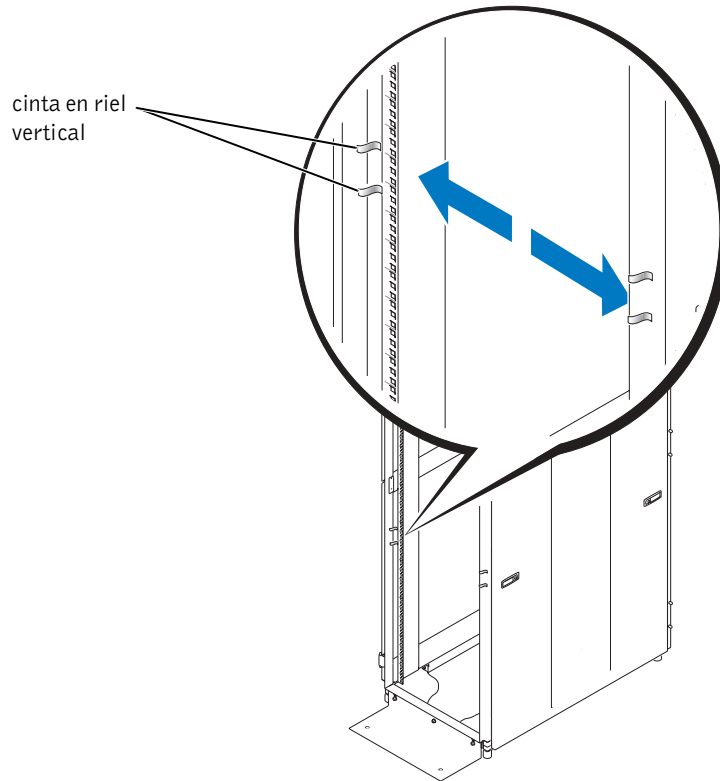
La parte inferior de cada espacio 1-U se encuentra en medio de la zona metálica más estrecha entre los orificios (marcados con una línea horizontal en algunos armarios de estantes). Consulte la Figura 5-2.

Figura 5-2. Una unidad de estante



- 2 Marque los rieles frontales de nuevo, 44 mm (1,75 pulgadas) por encima de la marca original realizada (o, para un estante que cumpla los estándares EIA-310, cuente tres orificios y coloque una marca encima del orificio superior).

Esta marca o trozo de cinta indica dónde se va a situar el borde superior de la bandeja sobre los rieles verticales. Consulte la Figura 5-3.

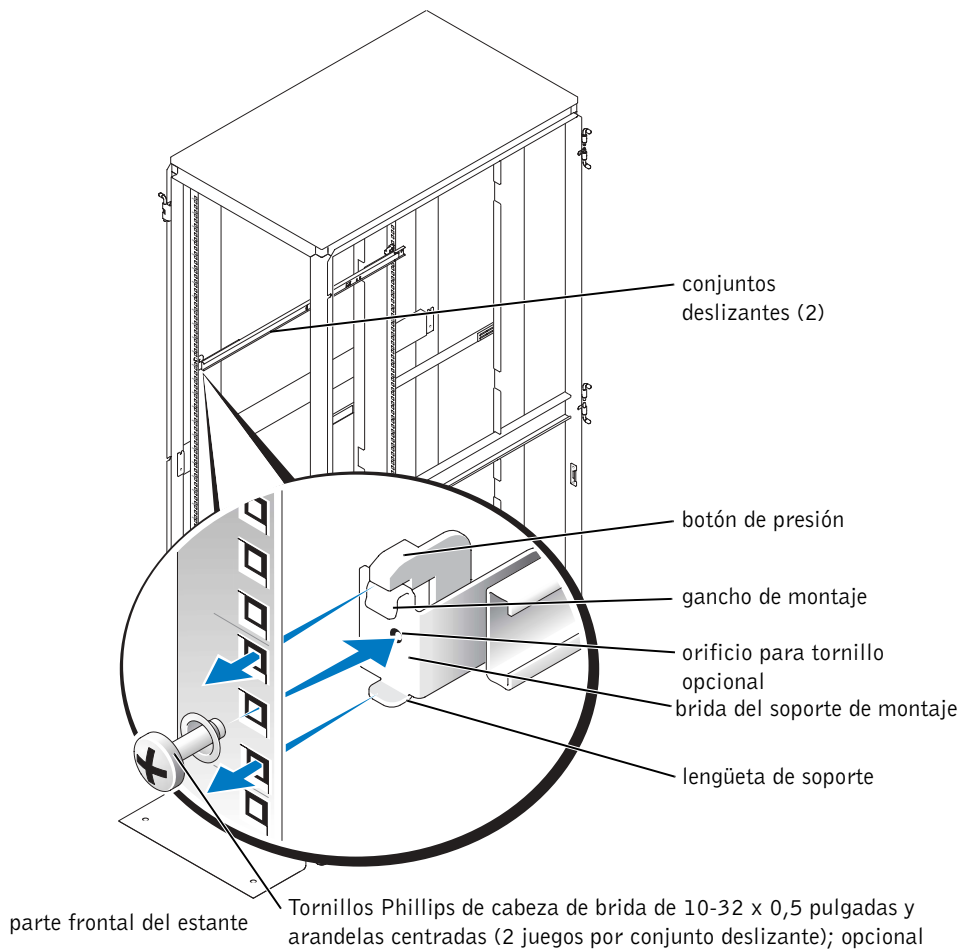
Figura 5-3. Marcado de los rieles verticales**Instalación de los conjuntos deslizantes RapidRails**

- 1 En la parte frontal del armario de estantes, coloque uno de los conjuntos deslizantes RapidRails de modo que su brida del soporte de montaje quede situada entre las marcas o la cinta colocada en el estante. Consulte la Figura 5-4.

Asegúrese de que el gancho de montaje situado en la brida del soporte de montaje frontal del conjunto deslizante entre en el orificio superior entre las marcas realizadas en los rieles verticales.

- 2 Empuje sobre el conjunto deslizante hacia delante hasta que el gancho de montaje quede colocado en los orificios cuadrados correspondientes del riel vertical y, a continuación, empuje hacia abajo la brida del soporte de montaje hasta que los ganchos de montaje se introduzcan en los orificios cuadrados, y el pulsador salga y emita un clic. Consulte la Figura 5-4.

Figura 5-4. Instalación de los conjuntos deslizantes RapidRails



- 3 En la parte posterior del armario, tire hacia atrás de la brida del soporte de montaje hasta que los ganchos de montaje queden colocados en sus orificios cuadrados correspondientes y, a continuación, empuje hacia abajo la brida del soporte de montaje hasta que los ganchos de montaje se introduzcan en los orificios cuadrados y el botón de presión salga y emita un clic.
- 4 Repita los pasos del 1 al 3 para el conjunto deslizante del otro lateral del estante.



NOTA: Asegúrese de que los rieles están montados en la misma posición en los rieles verticales de cada lado del estante.

- 5 (Opcional) Si lo desea, para fijar aún más los conjuntos deslizantes, puede instalar los cuatro tornillos Phillips de cabeza de brida de 10-32 x 0,5 pulgadas y las arandelas centradas que se incluyen con el kit de 1-U de KMM. Monte una arandela centrada en cada tornillo y el tornillo a través del orificio cuadrado central para cada riel del orificio del tornillo en la brida del soporte de montaje. Consulte la Figura 5-4.

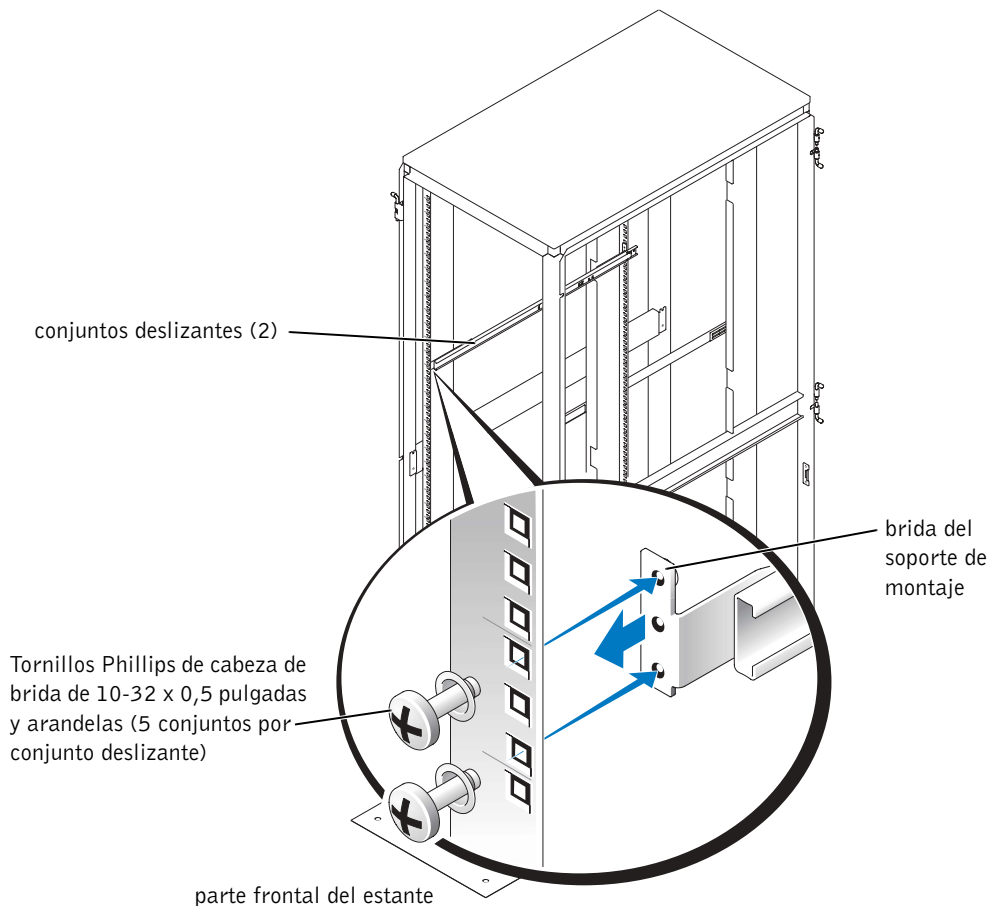
Instalación de los conjuntos deslizantes VersaRails

- 1 En la parte frontal del armario de estantes, coloque uno de los conjuntos deslizantes VersaRails de modo que su brida del soporte de montaje quede situada entre las marcas o la cinta colocada (o la ubicación numerada) en el estante. Consulte la Figura 5-5.

Asegúrese de que los tres orificios de la parte frontal del soporte de montaje se alineen con los tres orificios situados entre las marcas realizadas en el riel vertical frontal.

- 2 Para fijar el conjunto deslizante al riel vertical frontal, instale dos tornillos Phillips de cabeza de brida de 10-32 x 0,5 pulgadas en el exterior del estante. Monte una arandela centrada en cada tornillo e inserte los tornillos a través del riel vertical en los orificios superior e inferior de la brida de montaje. Consulte la Figura 5-5.
- 3 En la parte posterior del armario, tire hacia atrás de la brida del soporte de montaje hasta que los orificios de montaje queden alineados con los orificios correspondientes del riel vertical posterior.
- 4 Instale dos conjuntos de arandela y tornillo Phillips de cabeza de brida de 10-32 x 0,5 pulgadas en los orificios de montaje posteriores para fijar el conjunto deslizante al riel vertical posterior.
- 5 Repita del paso 1 al paso 4 para el conjunto deslizante del otro lateral del estante.
- 6 Asegúrese de que los conjuntos deslizantes están montados en la misma posición en los rieles verticales en cada lado del estante.

Figura 5-5. Instalación de los conjuntos deslizantes VersaRails

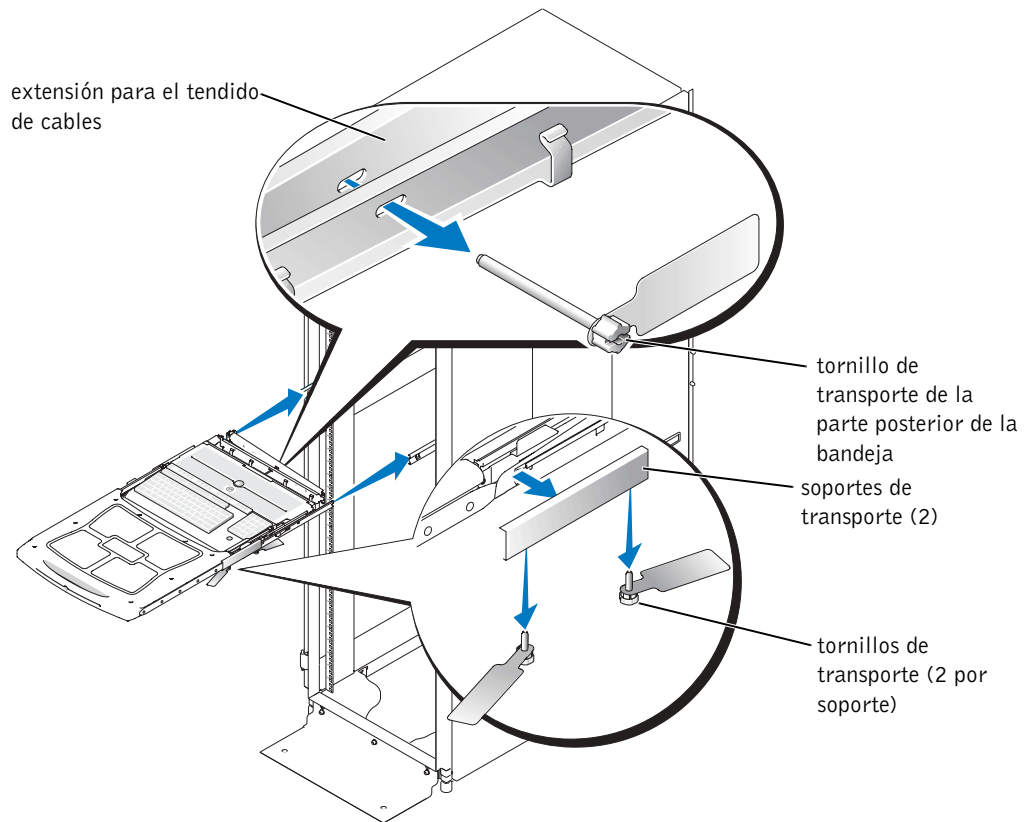


Instalación de la bandeja de 1-U de KMM en el estante

- 1** Tire de los rieles deslizantes izquierdo y derecho hacia fuera de los conjuntos deslizantes hasta que queden totalmente extendidos.
- 2** Alinee los rieles de la bandeja de 1-U de KMM con los frontales de los rieles deslizantes, inserte los rieles de la bandeja en los rieles deslizantes y empújela firmemente para introducirla en el estante (es posible que tenga que aplicar una presión extra en un punto para sobrepasar el mecanismo de bloqueo) hasta que los soportes metálicos de transporte de los laterales de la bandeja toquen los rieles verticales del estante. Consulte la Figura 5-6.

- 3 En el lateral de la bandeja, extraiga los dos pares de tornillos naranjas de transporte que fijan los soportes. Consulte la Figura 5-6. Guarde los tornillos y los soportes en un lugar seguro.
- ➔ **AVISO:** Guarde los tornillos y los soportes de transporte. Los necesitará si extrae la bandeja del estante. Consulte "Extracción de la bandeja de 1-U de KMM del estante".
- 4 Empuje la bandeja casi completamente hasta el estante.

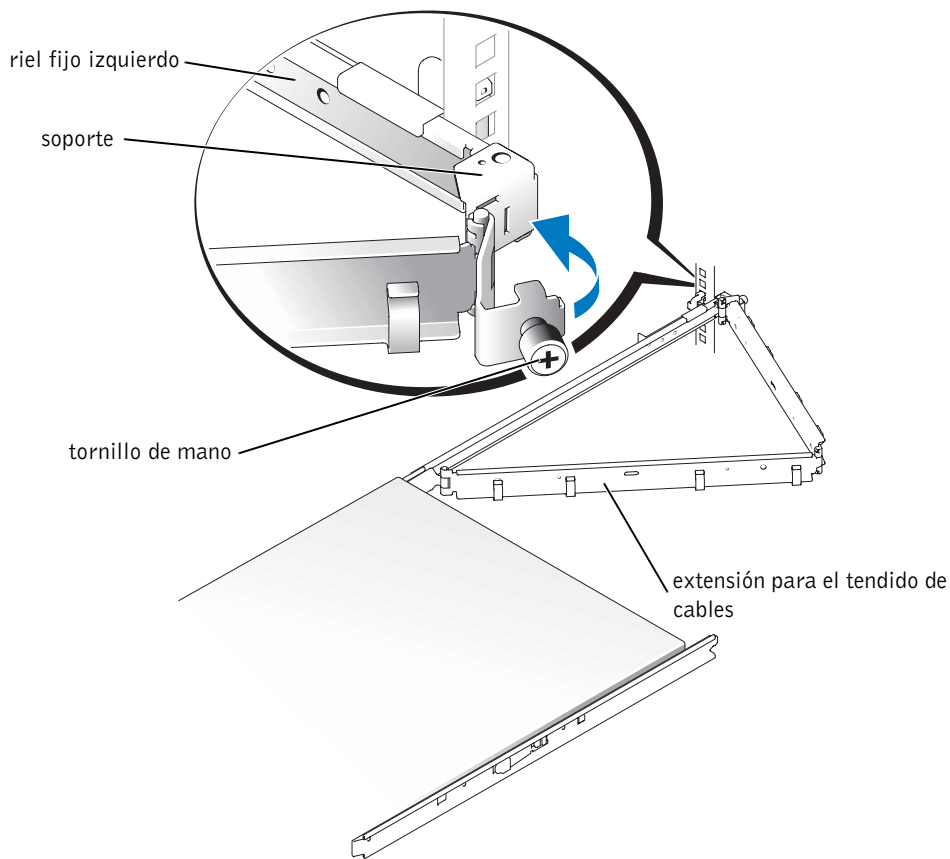
Figura 5-6. Instalación de la bandeja de KMM en el estante



Instalación de la extensión para el tendido de cables en el estante

- 1 Tire de la bandeja hacia fuera del frontal del estante lo suficiente para poder tener espacio para trabajar en la parte posterior.
- 2 Cuando esté trabajando en la parte posterior del estante, extraiga el tornillo de transporte naranja que fija la extensión para el tendido de cables a la parte posterior de la bandeja. Consulte la Figura 5-6 para ver la ubicación del tornillo.
- 3 Deslice hacia fuera el extremo libre de la extensión para el tendido de cables hasta el soporte del extremo del riel fijo izquierdo y acople la extensión al soporte con el tornillo de mano en el extremo de ésta. Consulte la Figura 5-7.

Figura 5-7. Conexión de la extensión para el tendido de cables

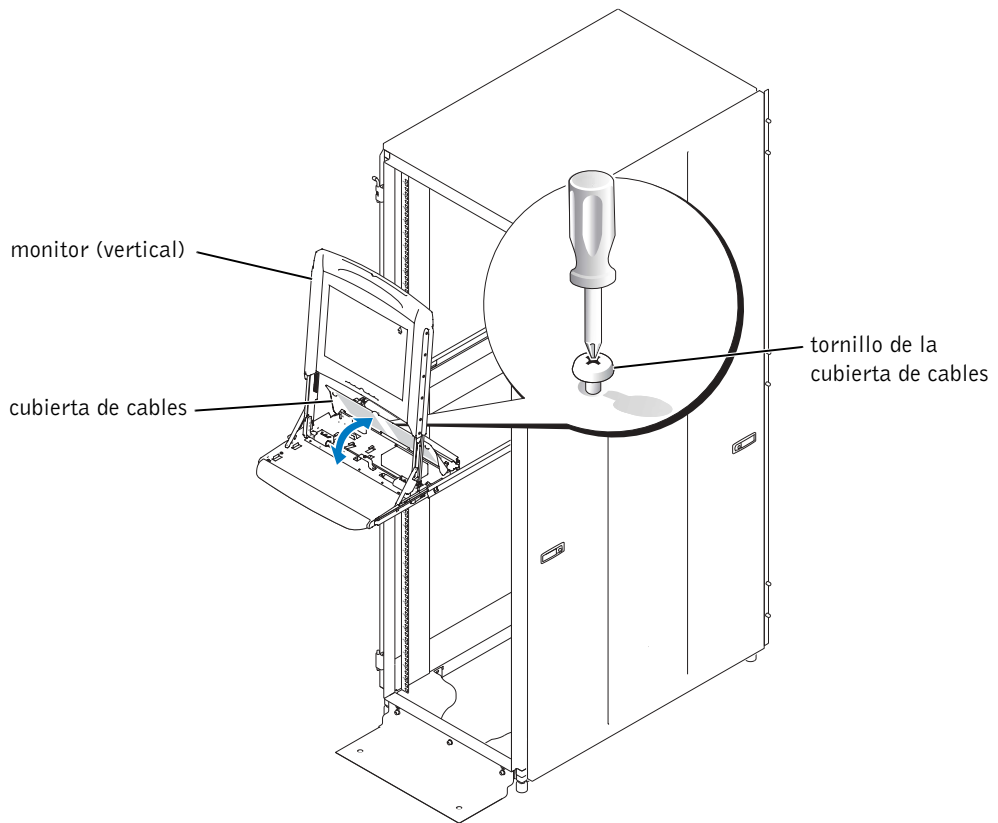


Instalación del teclado en la bandeja (opcional)

NOTA: Si el teclado no está aún instalado en la bandeja, realice el siguiente procedimiento para instalarlo; de lo contrario, continúe con "Finalización de las conexiones de los cables".

- 1 Tire de la bandeja hacia fuera hasta que quede bloqueada en su sitio.
- 2 Sujete el monitor por su asa, gírelo hasta una posición vertical y levántelo completamente. Consulte la Figura 5-8.
- 3 Afloje el tornillo Phillips integrado que fija la cubierta de cables de la bandeja y haga girar la cubierta hacia atrás. Consulte la Figura 5-8.

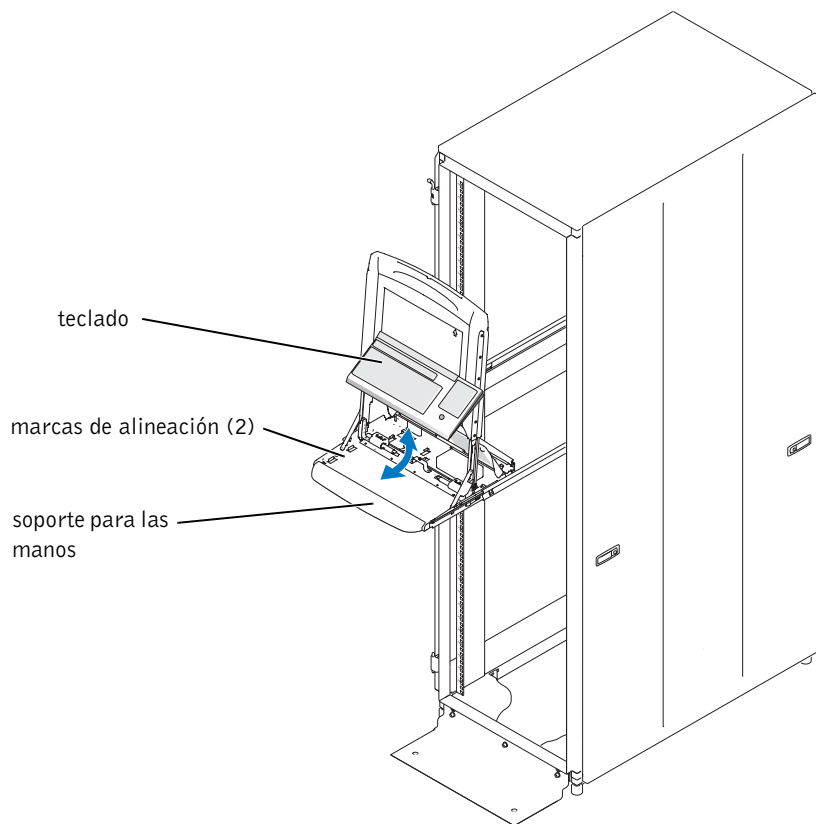
Figura 5-8. Apertura de la cubierta de cables



NOTA: Al realizar el siguiente paso, asegúrese de que el cable del teclado/trackball permanece alejado del teclado.

- Incline la parte frontal del teclado hacia abajo, deslícela bajo el soporte para las manos y entre las dos marcas de alineación en los laterales de la bandeja, y, a continuación, gire la parte posterior del teclado hacia abajo hasta que quede bien encajada en una posición bloqueada. Consulte la Figura 5-9.

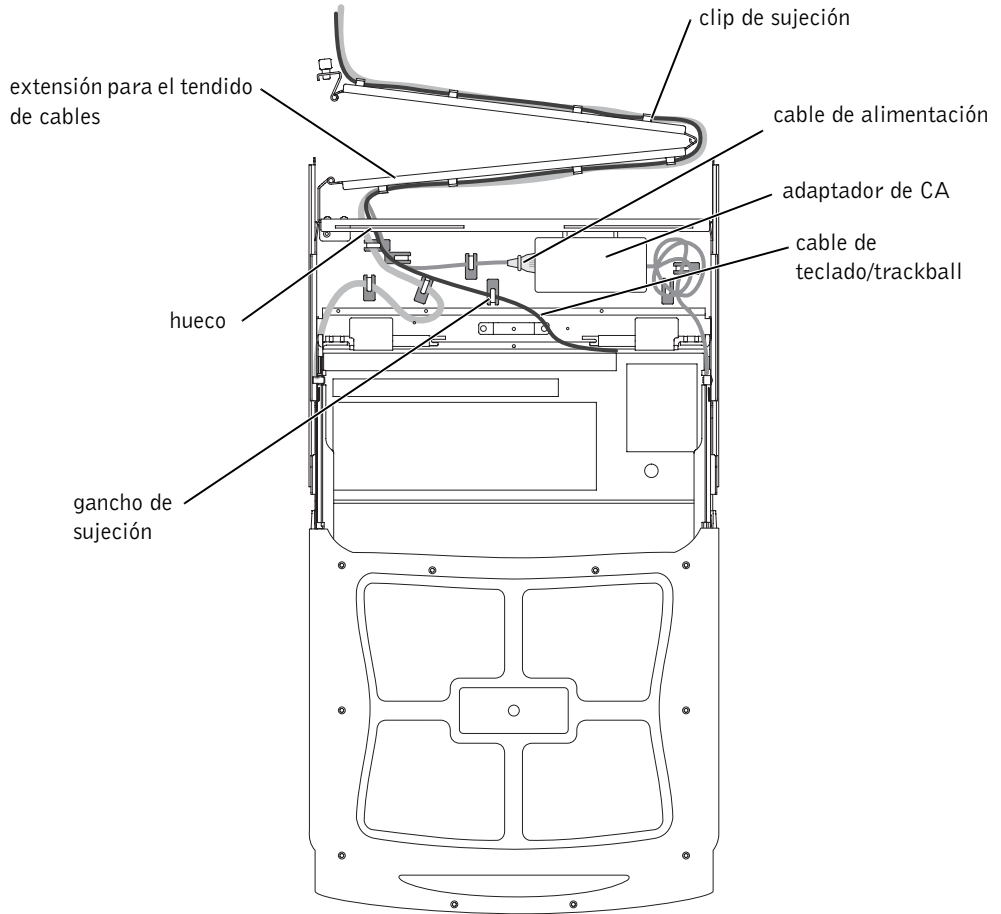
Figura 5-9. Instalación del teclado en la bandeja



- Encamine el cable del teclado/trackball hacia la izquierda a través de dos de los ganchos de sujeción en la parte inferior del alojamiento de cables y a través del hueco de la parte posterior de la bandeja. Consulte la Figura 5-10.
- Encamine el cable del teclado/trackball a lo largo de la extensión con los otros cables y presiónelo en los clips de sujeción que hay a lo largo de la extensión.
- Para alisar el haz de cables lo suficiente para que quepa en la extensión para el tendido de cables, presione el haz en la extensión a todo lo largo de ésta.

- 8 A menos que vaya a sustituir el cable de alimentación, cierre la cubierta y apriete el tornillo Phillips integrado.

Figura 5-10. Canalización del cable del teclado



Sustitución del cable de alimentación



NOTA: Si el cable de alimentación adecuado para la región no está instalado aún, realice el siguiente procedimiento para sustituir el cable de alimentación existente por el correcto en la bandeja de 1-U de KMM; de lo contrario, continúe con "Finalización de las conexiones de los cables".

- 1 Desconecte el cable de alimentación del adaptador de CA y tire de él desde debajo de los ganchos de sujeción de la parte inferior del alojamiento de cables. Consulte la Figura 5-10.
- 2 Extraiga el cable de alimentación del haz de cables de la extensión para el tendido de cables.
- 3 Enchufe el nuevo cable de alimentación en el adaptador de CA y encamínelo por debajo de los ganchos de sujeción de la parte inferior del alojamiento de cables. Consulte la Figura 5-10.
- 4 Una el nuevo cable al haz encaminándolo por debajo de los clips de sujeción de la extensión para el tendido de cables.
- 5 Cierre la cubierta de cables y apriete el tornillo Phillips integrado.

Finalización de las conexiones de los cables

- 1 Si lo desea, conecte los cables de extensión del teclado, trackball y monitor suministrados en el kit de la bandeja de 1-U de KMM a los cables correspondientes que salen de la extensión para el tendido de cables.
- 2 Complete las conexiones de los cables según sea necesario.

Colocación de las puertas del estante

Para retirar las puertas, consulte los procedimientos en la documentación suministrada con el armario de estantes.




PRECAUCIÓN: Debido al tamaño y al peso de las puertas del armario de estantes, nunca debe intentar montarlas ni desmontarlas sin ayuda.

Extracción de la bandeja de 1-U de KMM del estante

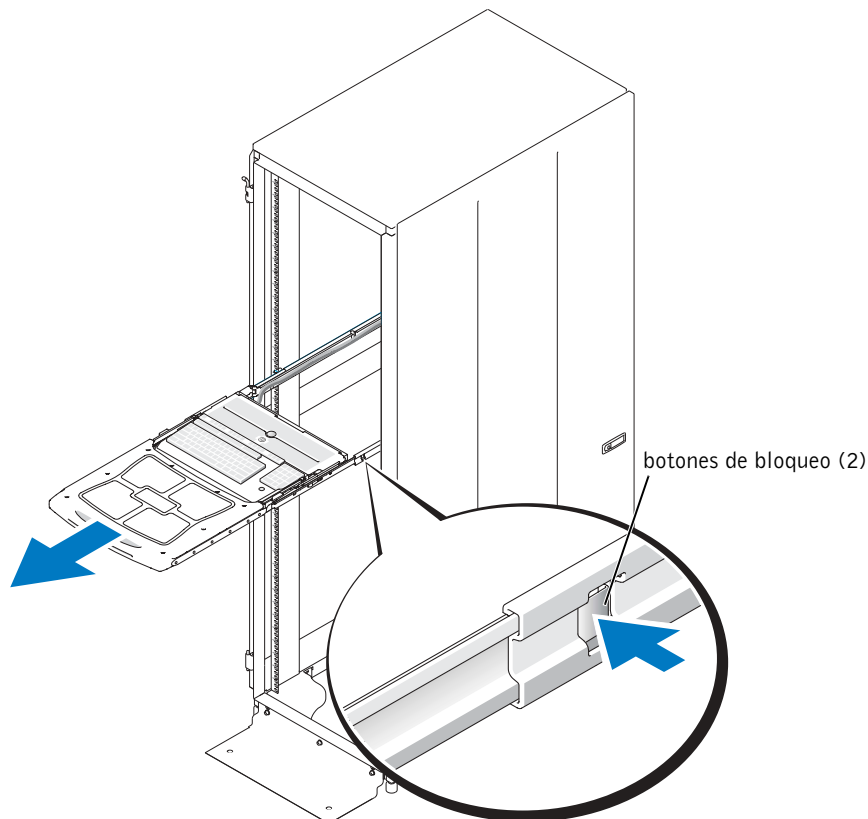
- 1 Tire de la bandeja hacia fuera hasta que topar con los botones de bloqueo situados en los laterales de la bandeja.
- 2 Vuelva a instalar los tornillos y los soportes de transporte que extrajo de la bandeja durante el procedimiento de instalación. Consulte la Figura 5-6.

Los soportes proporcionan apoyo en la parte central de la bandeja cuando ésta se extrae del estante y se mueve.

 **PRECAUCIÓN:** Si no dispone de los soportes y tornillos de transporte originales, asegúrese de sujetar la bandeja manualmente en la parte central cuando se extrae y se mueve. No intente extraer y mover la bandeja sujetándola sólo por la parte frontal y posterior.


- 3 Para extraerla completamente, pulse los dos botones de bloqueo a la vez mientras la saca del estante. Esta tarea es más sencilla si la llevan a cabo dos personas, una en cada lateral de la bandeja. Consulte la Figura 5-11.

Figura 5-11. Extracción de la bandeja de 1-U de KMM



Uso de la bandeja de 1-U de KMM

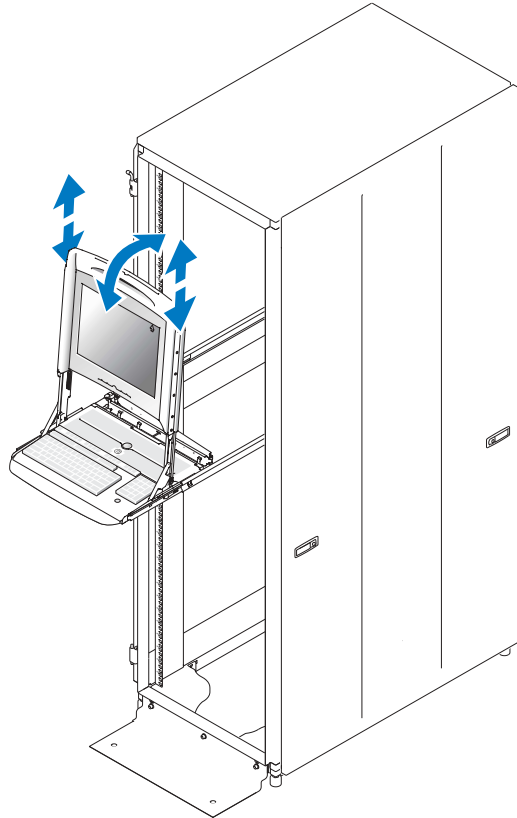
- 1 Tire de la bandeja hacia fuera hasta que quede bloqueada en su sitio.
- 2 Sujete el monitor por el asa y gírelo hasta la posición que desee.

 **NOTA:** Si el monitor está en modo de reposo cuando lo levante, se encenderá cuando alcance un ángulo de 90° aproximadamente.


El monitor se mantiene en su sitio por la fricción.

- Para ajustar el ángulo, haga girar el monitor hacia atrás y delante. Consulte la Figura 5-12.
- Para ajustar el ángulo, sujete el monitor por los dos laterales y aplique la misma presión en ambos para moverlo hacia arriba y hacia abajo. Consulte la Figura 5-12.

Figura 5-12. Ajuste del ángulo del monitor




- 3 Utilice el botón de encendido del monitor para apagarlo y encenderlo.

 **NOTA:** Para obtener más información sobre el uso del monitor, consulte la documentación incluida en el kit de la bandeja.

- 4 Para finalizar la sesión:

- a (Opcional) Utilice el botón de encendido del monitor para apagarlo o establecerlo en modo de reposo.

 **NOTA:** El monitor se apaga automáticamente cuando alcanza un ángulo inferior a los 45°.

- b Gire el monitor hacia abajo hasta la posición totalmente bajada.
- c Empuje completamente la bandeja para introducirla en el estante.